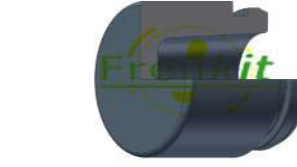


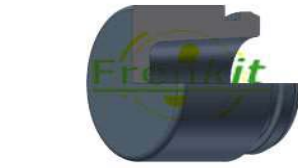

P234101		
D=23,4	d=19,5	H=41,3
Guide Piston Ø23 Delco Type		
DAEWOO, OPEL		



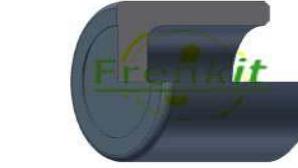
P282901		
D=28	d=13,5	H=29
Rear Piston Ø28 Brembo (Aluminium)		
JAGUAR XJ 8 4,2		



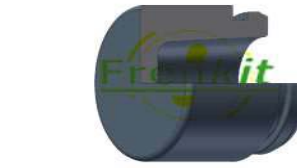
P283001		
D=28	d=13,5	H=30
Front/Rear Ø28 Brembo (Aluminium)		
BMW SERIE1, VOLVO S60, V70		



P283101		
D=28	d=13,5	H=31,5
Rear Piston Ø28 Brembo (Aluminium)		
AUDI Q7		



P283201		
D=28	d=21	H=32
Rear Piston Ø28 Brembo (Aluminium)		
PORSCHE 928, 944		



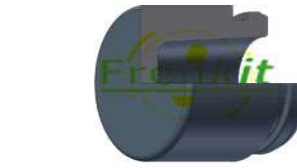
P283202		
D=28	d=13,5	H=32
Rear Piston Ø28 Brembo (Aluminium)		
AUDI Q7, PORSCHE 944, VW TOUAREG		



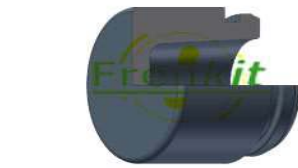
P284701		
D=28	d=18,5	H=47,5
Rear Piston Ø28 Lucas Type		
MERCEDES A-CLASS		



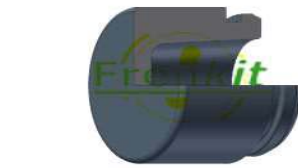
P302801		
D=30	d=19,5	H=28,8
Rear Piston Ø30 Ate Type		
SAAB 90, 99, 900		




P302901		
D=30	d=15,5	H=29
Rear Piston Ø30 Brembo (Aluminium)		
JAGUAR XJ 8 4.2		



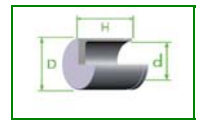

P303001		
D=30	d=13,5	H=30
Front/Rear Ø30 Brembo (Aluminium)		
BMW SERIE 1, VOLVO S60, V70		



P303101		
D=30	d=13,5	H=31,5
Front Piston Ø30 Brembo (Aluminium)		
AUDI Q7, VW TOUAREG		



P303201		
D=30	d=22	H=32
Rear Piston Ø30 Brembo (Aluminium)		
PORSCHE 928, 944		

P303202		
D=30	d=15,5	H=32
Rear Piston Ø30 Brembo (Aluminium)		
AUDI Q7, PORSCHE 944, VW TOUAREG		



P303801		
D=30	d=24	H=38,5
Rear Piston Ø30 Bosch Type		
CITROEN, PEUGEOT, RENAULT		



P304001		
D=30	d=26	H=40
Rear Piston Ø30 Akebono Type		
DAIHATSU CHARADE, MAZDA MX-3		



P304002		
D=30	d=27	H=40,5
Rear Piston Ø30 Nih Type		
HONDA ACCORD, INTEGRA, PRELUDE		



P304101		
D=30	d=26,3	H=41,6
Rear Piston Ø30 Akebono Type		
MAZDA 323, 626; FORD PROBE		



P304102		
D=30	d=24,5	H=41
Rear Piston Ø30 Akebono Type		
NISSAN SENTRA (USA), SUNNY, PULSAR, 100NX		



P304301		
D=30	d=27	H=43,8
Rear Piston Ø30 Lucas/Nissin Type		
HONDA CIVIC , CONCERTO, CRX; ROVER 25,45,STREET, 200-400 SERIES		



P304401		
D=30	d=25,5	H=44,7
Rear Piston Ø30 Tokic/Girl Type		
HONDA, FIAT		



P304501		
D=30	d=25,8	H=45,5
Rear Piston Ø30 Nabco Type		
DAIHATSU, FORD, MAZDA, SUZUKI		



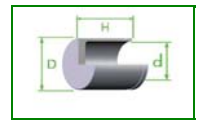
P304502		
D=30	d=26	H=45
Rear Piston Ø30 Akebono Type		
NISSAN PULSAR, SUNNY, 100NX		



P304503		
D=30	d=26	H=45
Rear Piston Ø30 Akebono Type		
MITSUBISHI COLT, ECLIPSE, GALANT, LANCER; TOYOTA COROLLA		



P304504		
D=30	d=25,5	H=45
Rear Piston Ø30 Tokico Type		
SUZUKI SWIFT		





P304601		
D=30	d=26	H=46,7
Rear Piston Ø30 Nissin/Lucas Type		
NISSAN ALMERA, MICRA		



P304602		
D=30	d=21	H=46,5
Rear Piston Ø30 Mando Type		
HYUNDAI ELANTRA, i20		



P304701		
D=30	d=22	H=47,5
Rear Piston Ø30 Sumitomo Type		
TOYOTA YARIS		




P304702		
D=30	d=22	H=47,5
Rear Piston Ø30 Trw Type		
MERCEDES A-CLASS, B-CLASS, Vaneo		




P305101		
D=30	d=22	H=51
Rear Piston Ø30 Lada Type		
LADA NIVA (2121)		



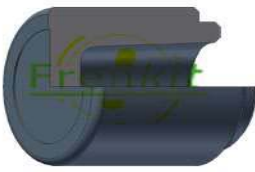
P314701		
D=31	d=22	H=47,5
Rear Piston Ø31 Kasko Type		
KIA RIO		



P323001		
D=32	d=13,5	H=30
Front Piston Ø32 Brembo (Aluminium)		
BMW SERIE 1		



P323101		
D=32	d=13,5	H=31,5
Front Piston Ø32 Brembo (Aluminium)		
AUDI S6, S7		



P323201		
D=32	d=17,5	H=32,6
Rear Piston Ø32 Citroen (Aluminium)		
CITROEN C5		



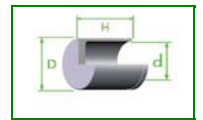
P323801		
D=32	d=24	H=38,5
Rear Piston Ø32 Bosch Type		
CITROEN XSARA, ZX; PEUGEOT 306		



P324101		
D=32	d=24	H=41,5
Rear Piston Ø 32 Bendix Type		
RENAULT R5,6; RENAULT R8,10		



P324401		
D=32	d=20	H=44
Rear Piston Ø32 Dac Type		
CHEVROLET NUBIRA, DAEWOO NUBIRA		




P324501		
D=32	d=25,7	H=45,5
Rear Piston Ø32 Nishinbo Type		
MAZDA MX5		



P324502		
D=32	d=22	H=45
Rear Piston Ø32 Aisin Type		
TOYOTA CAMRY		



P324503		
D=32	d=23,3	H=45,8
Rear Piston Ø32 Dac Type		
DAEWOO LACETTI, NUBIRA		



P324504		
D=32	d=22	H=45
Rear Piston Ø32 Akebono Type		
TOYOTA CARINA, CELICA, CORONA		



P324701		
D=32	d=26	H=47,5
Rear Piston Ø32 Sumitomo Type		
TOYOTA RAV 4, YARIS		



P332801		
D=33	d=21,5	H=28,2
Front Piston Ø33 Ate Type		
FORD ESCORT; KIA SEPHIA; OPEL CALIBRA, VECTRA		



P332901		
D=33	d=23	H=29,5
Rear Piston Ø33 Citroen (Aluminium)		
CITROEN XANTIA, XM		



P334401		
D=33	d=25,8	H=44,1
Rear Piston Ø33 Ate Type		
SAAB 900, 9000; VOLVO 440-460-480		



P334501		
D=33	d=18,5	H=45
Rear Piston Ø33 Ate Type		
BMW (E21) 323i		



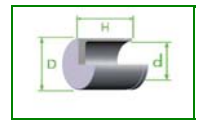
P334601		
D=34	d=29	H=46,8
Rear Piston Ø33 Lucas Type		
ALFA,VAG GROUP,FIAT,GM GROUP, HYUNDAI,KIA,LANCIA,MAZDA,MITSUBISHI		



P334801		
D=33	d=18,5	H=48
Rear Piston Ø33 Ate Type		
BMW 3,5,6,7 SERIES		



P334901		
D=33	d=22	H=49
Rear Piston Ø33 Ate Type		
MERCEDES V-CLASS, VITO; PEUGEOT 406, 605, 607		





P335001		
D=33	d=23	H=50,2
Rear Piston Ø33 Bosch Type		
MERCEDES V-CLASS, VITO		




P342801		
D=34	d=23	H=28,6
Front Piston Ø34 Sumitomo Type		
TOYOTA HILUX, LAND CRUISER, 4-RUNNER		




P342802		
D=34	d=22	H=28,5
Front Piston Ø34 Pal Type		
SKODA S100-130, RAPID, WARTBURG 353		



P342901		
D=34	d=22	H=29
Front Piston Ø34 Ate Type		
AUDI 100, COUPE; BMW 02; VW K70		



P343001		
D=34	d=19	H=30
Front Piston Ø34 Ate Type		
VOLVO 740-760-780		



P343101		
D=34	d=13,5	H=31,5
Front Piston Ø34 Brembo (Aluminium)		
AUDI Q7, VW TOUAREG		



P344001		
D=34	d=26,3	H=40
Rear Piston Ø34 Bendix Type		
SEAT 124, FIAT 124, 125, ARGENTA, X 1/9		



P344101		
D=34	d=29,4	H=41
Rear Piston Ø34 Kpw Type		
KIA CARENS, SHEPIA, SHUMA		



P344102		
D=34	d=27	H=41
Rear Piston Ø34 KpwType		
KIA CLARUS		



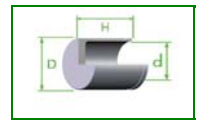
P344201		
D=34	d=30	H=42,8
Rear Piston Ø34 Kasco Type		
KIA PICANTO		



P344401		
D=34	d=28	H=44
Rear Piston Ø34 Nissin Type		
HONDA PRELUDE		



P344501		
D=34	d=26	H=45,5
Rear Piston Ø34 Bendix Type		
FIAT TEMPRA; LANCIA DEDRA, DELTA, PRISMA		




P344602		
D=34	d=25	H=46
Rear Piston Ø34 Man Type		
HYUNDAI, KIA, MITSUBISHI, TOYOTA		



P344603		
D=34	d=30	H=46
Rear Piston Ø34 Akebono Type		
HONDA ACCORD VII SERIES		



P344701		
D=34	d=31	H=47
Rear Piston Ø34 Bosch Type		
OPEL ASTRA, ZAFIRA		



P344702		
D=34	d=28	H=47,2
Rear Piston Ø34 Lucas/Nih Type		
HONDA ACCORD, CIVIC, PRELUDE; ROVER 600 SERIES; SUZUKI SX4		



P344703		
D=34	d=25	H=47,5
Rear Piston Ø34 Trw Type		
TOYOTA COROLLA		



P344704		
D=34	d=28	H=47,5
Rear Piston Ø34 Sumitomo Type		
TOYOTA CELICA		



P344705		
D=34	d=25	H=47,5
Rear Piston Ø34 Kasko Type		
HYUNDAI i30, ix35, SONATA; KIA CEE'D		




P344706		
D=34	d=30	H=47,2
Rear Piston Ø34 Kasko Type		
HYUNDAI ix20, VELOSTER		



P344707		
D=34	d=28,5	H=47
Rear Piston Ø34 Mando Type		
HYUNDAI SOLARIS, KIA RIO		



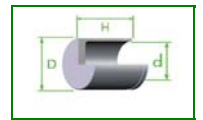
P344801		
D=34	d=29	H=48
Rear Piston Ø34 Trw Type		
HYUNDAI, KIA, MITSUBISHI, NISSAN, SMART		



P344802		
D=34	d=20	H=48
Rear Piston Ø34 Ate Type		
BMW 3 SERIES		



P344803		
D=34	d=30	H=48
Rear Piston Ø34 Mobis Type		
HYUNDAI i30, KIA CEED, PROCEED		



P344804		
D=34	d=29	H=48
HONDA CIVIC		

OEM: PHENOLIC FRENKIT: STEEL

P344901		
D=34	d=16	H=49
Rear Piston Ø34 K/H		
CHRYSLER NEON		

P345001		
D=34	d=29	H=49,7
Rear Piston Ø34 Ate Type		
MINI MINI, TOYOTA YARIS		

P345201		
D=34	d=29,5	H=52
Rear Piston Ø34 Trw Type		
RANGE ROVER EVOQUE; MERCEDES A180		

P345401		
D=34	d=30	H=54
Rear Piston Ø34 Ate Type		
BMW, MINI		

P352601		
D=35	d=23	H=26,6
Rear Piston Ø35 Ate/Bendix Type		
MERCEDES BENZ 124, 190, E-CLASS		

P352801		
D=35	d=23	H=28,5
Rear Piston Ø35 Ate Type		
MERCEDES, OPEL, SAAB		

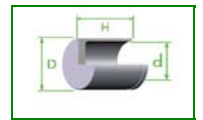
P353001		
D=35	d=19	H=30,1
Rear Piston Ø35 Ate Type		
MERCEDES C-CLASS		

P353901		
D=35	d=28	H=39,5
Rear Piston Ø30 Akebono Type		
MAZDA 323, 626, 929, RX7		

P354001		
D=35	d=29,5	H=40
Rear Piston Ø35 Akebono Type		
MAZDA 323, 626, PREMACY, RX7		

P354401		
D=35	d=29	H=44,5
Rear Piston Ø35 Akeb. Type		
TOYOTA COROLLA 1600 GT		

P354402		
D=35	d=20	H=44,5
Rear Piston Ø35 Dac (Aluminium)		
DAEWOO/CHEVROLET LEGANZA		




P354403		
D=35	d=25	H=44
Rear Piston Ø35 Aisin Type		
TOYOTA PRIUS		



P354501		
D=35	d=30	H=45
Rear Piston Ø35 Akebono Type		
MAZDA 6, TOYOTA COROLLA		



P354502		
D=35	d=23	H=45,8
Rear Piston Ø35 Akebono Type		
MITSUBISHI, NISSAN, SUBARU, TOYOTA		



P354503		
D=35	d=29	H=45
Rear Piston Ø35 Akebono Type		
MITSUBISHI CARISMA, COLT, ECLIPSE, GALANT, LANCER		



P354504		
D=35	d=26	H=45
Rear Piston Ø35 Aisin Type		
TOYOTA CARINA, CAMRY, CELICA		



P354505		
D=35	d=25,8	H=45,5
Rear Piston Ø35 Nabco Type		
MAZDA MX5		



P354601		
D=35	d=25	H=46
Rear Piston Ø35 Akebono Type		
MAZDA XEDOS, NISSAN 200 SX		




P354801		
D=35	d=18,5	H=48
Rear Piston Ø35 Ate Type		
BMW 3 SERIES, 5 SERIES		



P354901		
D=35	d=26	H=49
Rear Piston Ø35 Dac Type		
CHEVROLET EPICA, DAEWOO EVANDA		



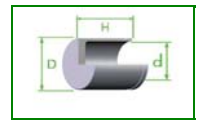
P362801		
D=36	d=25	H=28,8
Front Piston Ø36 Girling Type		
VOLVO 140-160, 240-260, AMAZON		




P362802		
D=36	d=28	H=28,25
Front Piston Ø36 AP Type		
ROVER		




P362901		
D=36	d=22	H=29,2
Front Piston Ø36 Teves Type		
VOLVO 140-160, 240-260		




P362902		
D=36	d=21,5	H=29,6
Rear Piston Ø36 Teves Type		
MERCEDES C-CLASS, CLK, E-CLASS, SL		



P362903		
D=36	d=26,6	H=29,2
Rear Piston Ø36 Citroen (Aluminium)		
CITROEN XANTIA		



P362904		
D=36	d=18,5	H=29
Rear Piston Ø36 Brembo (Aluminium)		
SUBARU IMPREZA STI		



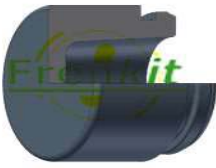
P363001		
D=36	d=19	H=30,6
Rear Piston Ø36 Teves Type		
MERCEDES C-CLASS, CLC-CLASS, CLK, E-CLASS, SLK		



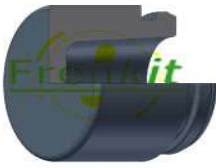
P363002		
D=36	d=25	H=30
Rear Piston Ø36 Teves Type		
VOLVO 740-760-780		



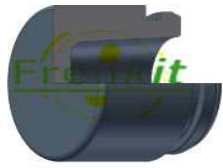
P363003		
D=36	d=25	H=30
Fron Piston Ø36 Sumitomo Type		
MAZDA		



P363004		
D=36	d=13,5	H=30
Front Piston Ø36 Brembo (Aluminium)		
BMW SERIE1, VOLKSWAGEN TOUAREG		



P363005		
D=36	d=20,5	H=30
Front Piston Ø36 Brembo (Aluminium)		
LAND ROVER RANGE ROVER		



P363101		
D=36	d=13,5	H=31,5
Front Piston Ø36 Brembo (Aluminium)		
AUDO Q7, VW TOUAREG		



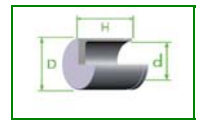
P364001		
D=36	d=27	H=40
Front Piston Ø36 Girling Type		
JAGUAR		



P364401		
D=36	d=30	H=44
Rear Piston Ø 36 AkebonoType		
TOYOTA MR-2 1600GT		



P364501		
D=36	d=26	H=45,8
Front Piston Ø36 Aisin Type		
TOYOTA MR2		




P364502		
D=36	d=26	H=45,5
Rear Piston Ø36 Bendix Type		
FIAT CROMA; LANCIA BETA, GAMMA, THEMA, TREVI; RENAULT 5,6,12,17		



P364503		
D=36	d=26	H=45,5
Rear Piston Ø36 Bendix Type		
RENAULT ESPACE, FUEGO, NEVADA, R18, R21, R25, R30		



P364701		
D=36	d=30,5	H=47
Rear Piston Ø36 Lucas Type		
OPEL ASTRA, ZAFIRA		



P364702		
D=36	d=29	H=47,5
Rear Piston Ø36 Sumitomo Type		
TOYOTA COROLLA, PRIUS		



P364705		
D=36	d=31	H=47
Rear Piston Ø 36 Mando Type		
MINI (F55)		



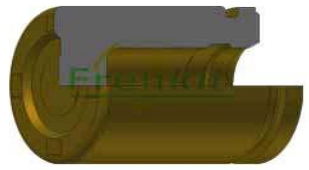
P364801		
D=36	d=29	H=48
Rear Piston Ø36 Lucas Type		
ALFA ROMEO, AUDI, FIAT, LANCIA, VW		



P364802		
D=36	d=32	H=48,5
Rear Piston Ø36 Bosch Type		
FORD COUGAR, MONDEO		



P364803		
D=36	d=22	H=48
Rear Piston Ø36 Ate Type		
BMW, CITROËN, FIAT, JAGUAR, LANCIA, PEUGEOT, ROVER		



P364804		
D=36	d=16	H=48,5
Rear Piston Ø 36 K/H		
CHRYSLER PT-CRUISER		

OEM: PHENOLIC FRENKIT: STEEL



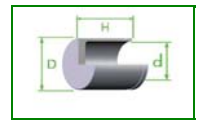
P364805		
D=36	d=31	H=48
Rear Piston Ø36 TRW Type		
MINI MINI; OPEL ASTRA, MERIVA, ZAFIRA		



P364806		
D=36	d=29	H=48
Rear Piston Ø36 Ate Type		
MAZDA 3		



P364901		
D=36	d=31,5	H=49
Rear Piston Ø36 BoschType		
FIAT PUNTO; OPEL CORSA; TOYOTA AURIS, COROLLA		




P365001		
D=36	d=29	H=50
Rear Piston Ø36 Ate Type		
FORD TOURNEO, TRANSIT		



P365101		
D=36	d=26	H=50,9
Rear Piston Ø36 Brembo Type		
RENAULT ESPACE, LAGUNA, NEVADA, R21, SAFRANE		



P365201		
D=36	d=29,6	H=52
Rear Piston Ø36 Trw type		
MERCEDES		



P365301		
D=36	d=27	H=53,5
Rear Caliper Piston Ø36 Trw Type		
LAND ROVER FREELANDER		




P382601		
D=38	d=13,5	H=26
Front Caliper Piston Ø38 Brembo Type		
MINI CLUBMAN, CLUBVAN, COOPER, ROADSTER		



P382801		
D=38	d=26	H=28,5
Front/Rear Piston Ø38 Lucas/Girling		
VOLVO 140-160, 240-260		




P382802		
D=38	d=25	H=28,5
Rear Piston Ø38 Teves Type		
MERCEDES		



P382803		
D=38	d=26	H=29
Front Piston Ø38 Girling Type		
JAGUAR E-TYPE, VOLVO AMAZON		




P382901		
D=38	d=25	H=29,9
Rear Piston Ø38 Ate Type		
ALFA ROMEO, MERCEDES, OPEL, PORSCHE, VOLVO		



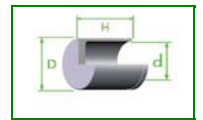
P382902		
D=38	d=22,5	H=29
Front Piston Ø38 Brembo (Aluminium)		
ALFA ROMEO 166, PEUGEOT 607		



P382903		
D=38	d=25	H=29,3
Rear Piston Ø38 Ate Type		
SAAB 9.5; OPEL MONZA, OMEGA, SENATOR		



P382905		
D=38	d=25	H=29
Rear Piston Ø38 Girling Type		
MERCEDES BENZ /8, 123, 200, 300, PAGODE, S-CLASS, SL		




P383001		
D=38	d=26	H=30,5
Rear Piston Ø38 Teves Type		
ALFA ROMEO ALFETTA, GIULETTA, GTV, SPIDER, 75, 90; PORSCHE 914		




P383002		
D=38	d=25	H=30,8
Front Piston Ø38 Ate Type		
MERCEDES E-CLASS		



P383003		
D=38	d=25	H=30,2
Front Piston Ø38 Ate/Brembo Type		
MERCEDES 190, E-CLASS, SL		



P383004		
D=38	d=23	H=30
Front Piston Ø38 Ate/Lucas Type		
VOLVO 740-760-780, 850, 940-960, S70, V70, C70		




P383005		
D=38	d=23	H=30
Front Piston Ø38 Brembo (Aluminium)		
LAND ROVER RANGE ROVER, VOLVO S60, V70		



P383101		
D=38	d=25	H=31,4
Rear Piston Ø38 Sumitomo Type		
MITSUBISHI 3000 GT, TOYOTA CELICA		



P383102		
D=38	d=25	H=31,7
Rear Piston Ø38 Bendix Type		
MERCEDES BENZ /8, COUPE, PAGODE, S CLASS, SL, SL COUPE, 123		




P383103		
D=38	d=13,5	H=31,5
Front Piston Ø38 Brembo (Aluminium)		
AUDI Q7, VW TOUAREG		



P383201		
D=38	d=25	H=32,7
Front Piston Ø38 Ate Type		
MERCEDES C-CLASS, CLK, E-CLASS		



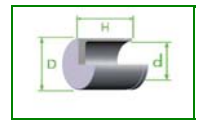
P383202		
D=38	d=25	H=32,5
Rear Piston Ø38 Akebono Type		
NISSAN 300 ZX		



P383203		
D=38	d=22,5	H=32
Front Piston Ø38 Brembo (Aluminium)		
ALFA ROMEO 147; JAGUAR XJ, XJS; NISSAN 350Z; PEUGEOT 406		



P384101		
D=38	d=30	H=41,5
Rear Piston Ø38 Lucas Type		
VOLVO 740-780, 940-960, S90, V90		




P384102		
D=38	d=29,5	H=41
Rear Piston Ø38 Kasko Type		
KIA CARENS		



P384103		
D=38	d=32,5	H=40,8
Rear Piston Ø38 Akebono Type		
MITSUBISHI PAJERO, MONTERO		



P384104		
D=38	d=24	H=41,5
Front Piston Ø38 Bendix Type		
RENAULT R8, 10		



P384401		
D=38	d=29	H=44,5
Rear Piston Ø38 Advics Type		
TOYOTA RAV-4		



P384501		
D=38	d=29	H=45
Rear Piston Ø38 Aisin Type		
TOYOTA AVENSIS, CAMRY, CARINA		



P384502		
D=38	d=27	H=45
Rear Piston Ø38 Advics Type		
TOYOTA		



P384503		
D=38	d=33,5	H=45
Rear Piston Ø38 Akebono Type		
MAZDA 6		



P384601		
D=38	d=33	H=46,8
Rear Piston Ø38 Lucas Type		
HONDA, HYUNDAI, LEXUS, NISSAN, ROVER, SUBARU, TOYOTA		



P384602		
D=38	d=25,5	H=46
Rear Piston Ø38 Akebono Type		
GM GROUP, PSA GROUP, MITSUBISHI, SUBARU, TOYOTA		



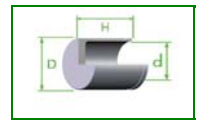
P384603		
D=38	d=30	H=46
Rear Piston Ø38 Nissin Type		
AHONDA ACCORD, CR-V, FR-V, LEGEND, SHUTTLE, STREAM		



P384604		
D=38	d=30	H=46
Rear Piston Ø38 Nissin Type		
HONDA ACCORD		



P384701		
D=38	d=33	H=47,2
Rear Piston Ø38 Nih Type		
HONDA ACCORD, LEGEND; MAZDA MX5		




P384702		
D=38	d=34	H=47
Rear Piston Ø38 Bosch Type		
FIAT BRAVO, BRAVA, MULTIPLA, STILO; OPEL ASTRA, ZAFIRA		



P384703		
D=38	d=33	H=47
Rear Piston Ø38 Nih Type		
HONDA ACCORD		



P384704		
D=38	d=29	H=47
Rear Piston Ø38 Kasko Type		
KIA CARENS		



P384705		
D=38	d=33	H=47
Rear Piston Ø38 Mando Type		
KIA CARENS		



P384706		
D=38	d=33,5	H=47
Rear Piston Ø 38 Mobis Type		
KIA CARENS		



P384707		
D=38	d=33	H=47
Rear Piston Ø 38 Nissin Type		
HONDA ACCORD VIII		



P384801		
D=38	d=20	H=48
Rear Piston Ø38 Ate Type		
BMW 3 SERIES, 7 SERIES; SAAB 9-3, 9-5		



P384802		
D=38	d=29	H=48,5
Rear Piston Ø38 Bendix Type		
HONDA ACCORD; TOYOTA AVENSIS, COROLLA, VERSO, PREVIA		



P384803		
D=38	d=27	H=48,8
Rear Piston Ø38 Tokico Type		
SUBARU LEGACY, OUTBACK, XV		



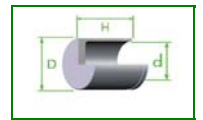
P384804		
D=38	d=28	H=48,5
Rear Piston Ø38 Mando Type		
HYUNDAI i40		



P384805		
D=38	d=29	H=48
Rear Piston Ø38 Ate Type		
CHEVROLET CRUZE; OPEL ASTRA, MOKKA		



P384901		
D=38	d=32,2	H=49
Rear Piston Ø38 Bosch Type		
ALFA, AUDI, CITROËN, FIAT, FORD, JAGUAR, PEUGEOT, SEAT, SKODA, VW		




P384902		
D=38	d=29	H=49,7
Rear Piston Ø38 Teves Type		
CITROËN, FORD, HONDA, MAZDA, NISSAN, OPEL, RENAULT, SAAB, VOLVO		



P384903		
D=38	d=29	H=49,4
Rear Piston Ø38 Mando Type		
HYUNDAI SANTA FE, TRAJET; MITSUBISHI SANTAMO		



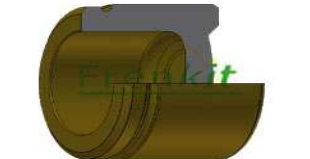
P385001		
D=38	d=22	H=50
Rear Piston Ø38 Ate Type		
BMW 5 SERIES, 7 SERIES		



P385002		
D=38	d=33,4	H=50,35
Rear Piston Ø38 Bosch Type		
CITROEN C4 PICASSO, C4 GRAND PICASSO; TOYOTA AVENTIS		



P385003		
D=38	d=28,5	H=50,5
Rear Piston Ø38 Ate Type		
MERCEDES C-CLASS		



OEM: PHENOLIC FRENKIT: STEEL

P385004		
D=38	d=22	H=50
Rear Piston Ø38 Girling		
JAGUAR S-TYPE, XJ, XJS		



P385101		
D=38	d=33	H=51
Rear Piston Ø38 Lucas Type		
ALFA, VAG, PSA, GM, FIAT, HONDA, MITSUBISHI, LANCIA, NISSAN, VOLVO		



P385102		
D=38	d=33	H=51
Rear Piston Ø38 Bosch Type		
FORD MONDEO, RENAULT KANGOO		



P385103		
D=38	d=33	H=51
Rear Piston Ø38 Bosch Type		
RENAULT KANGOO		



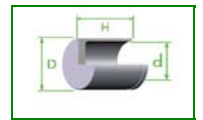
P385104		
D=38	d=29	H=51
Front Piston Ø38 Bendix Type		
FORD TRANSIT		



P385105		
D=38	d=29	H=51,5
Front/Rear Piston Ø38 Nissin Type		
HONDA ACCORD, LEGEND; NISSAN NAVARA, PATHFINDER; SUBARU FORESTER		



P385201		
D=38	d=29	H=52,5
Rear Piston Ø38 Bendix Type		
MERCEDES VIANO, VITO		





P385202		
D=38	d=29	H=52
Rear Piston Ø38 Trw Type		
FORD GALAXY, S-MAX; LANCIA THESIS; VW PASSAT; VOLVO S60, S80		



P385203		
D=38	d=27	H=52,5
Rear Piston Ø38 Sumit/Tokico Type		
MAZDA MPV; SUBARU FORESTER, IMPREZA		



P385301		
D=38	d=29	H=53,6
Front Piston Ø38 Brembo Type		
CITROËN, FIAT, PEUGEOT, LAND ROVER, VOLVO		



P385302		
D=38	d=30	H=53
Rear Piston Ø38 Ate Type		
AUDI, VW		




P385303		
D=38	d=27	H=53
Rear Piston Ø 38 Bosch Type		
CITROEN C4, PEUGEOT 308		




P402901		
D=40	d=21,5	H=29
Rear Piston Ø40 Ate Type		
MERCEDES E-CLASS, S-CLASS; OPEL MONZA, SENATOR		



P402902		
D=40	d=30	H=29,3
Front Piston Ø40 Sumitomo Type		
NISSAN 200SX, 300ZX; SUBARU IMPREZA		



P402903		
D=40	d=26	H=29
Front Piston Ø40 Lucas Type		
MITSUBISHI 3.000 GT; VW BEETLE 1.200, 1.300, 1.500, 1.600		




P402904		
D=40	d=23,5	H=29
Front Piston Ø40 Brembo (Aluminium)		
ALFA ROMEO, CITROËN, NISSAN, PEUGEOT, RENAULT		



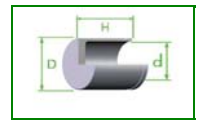
P402905		
D=40	d=30	H=29,5



P403001		
D=40	d=25	H=30
Rear Piston Ø40 Ate Type		
VOLVO 740-760-780, 940-960		



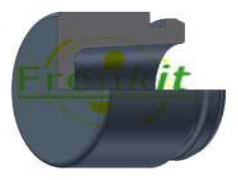
P403002		
D=40	d=25	H=30,2
Rear Piston Ø40 Ate Type		
MERCEDES M-CLASS		





P403003		
D=40	d=21,5	H=30
Front Piston Ø40 Ate/Girling Type		
VW BEETLE 1.200, 1.300, 1.500, 1.600; OPEL SENATOR, MONZA		



P403004		
D=40	d=21,5	H=30
Front Piston Ø40 Ate Type		
ALFA ROMEO 6, 75, BMW 02, 5 SERIES(E12), 6 SERIES (E24)		



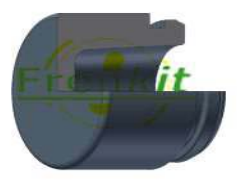
P403005		
D=40	d=23	H=30
Front Piston Ø40 Brembo (Aluminium)		
ALFA ROMEO, LAND ROVER, OPEL, SAAB		



P403101		
D=40	d=30	H=31,5
Rear Piston Ø40 Sumitomo Type		
TOYOTA CELICA, SUPRA		



P403201		
D=40	d=22	H=32
Front Caliper Ø40 Ate Type		
BMW 5 SERIES, 6 SERIES, 7 SERIES		



P403202		
D=40	d=23	H=32
Front Piston Ø40 Brembo (Aluminium)		
BMW, MERCEDES		



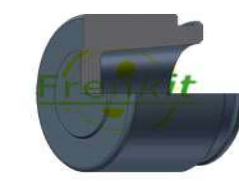
P403203		
D=40	d=25	H=32,9
Rear Piston Ø40 Aisin Type		
LEXUS GS, IS		



P403204		
D=40	d=28	H=32
Rear Piston Ø40 Ate Type		
OPEL OMEGA		



P403206		
D=40	d=28	H=32,7
Front Piston Ø40 Ate Type		
BMW M5, 750, 850csi		



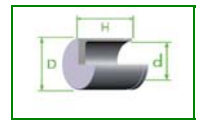
P403207		
D=40	d=23,5	H=32,5
Front Piston Ø40 Brembo Type		
BMW		



P403501		
D=40	d=23,5	H=35,2
Front Piston Ø40 Lucas Type		
MERCEDES S-CLASS		



P404101		
D=40	d=31,5	H=41,7
Rear Piston Ø40 Lucas Type		
VOLVO 940-960, C70, S70, V70		




P404401		
D=40,4	d=27,5	H=44,2
Rear piston Ø 40 PBR (Aluminium)		
SSANGYONG KORANDO, MUSSO		



P404501		
D=40,4	d=26	H=45
Rear Piston Ø40 Aisin Type		
LEXUS RX		



P404601		
D=40,4	d=29	H=46
Rear Piston Ø40 Aisin Type		
LEXUS ES, GS, LS		



P404701		
D=40,4	d=24,5	H=47
Rear Piston Ø40 Nissin Type		
HONDA S2000		



P404801		
D=40	d=20	H=48
Rear Piston Ø40 Ate Type		
BMW 3,5,7,8 SERIES, Z3, Z4; ROVER MG; SAAB 9.5		



P404802		
D=40	d=25	H=48
Front Piston Ø40 Ate Type		
BMW 3 SERIES		



P404803		
D=40	d=29	H=48
Rear Piston Ø40 Ate Type		
CHEVROLET CRUZE, ORLANDO; OPEL ASTRA		



P404901		
D=40	d=32	H=49
Rear Piston Ø40 Bendix Type		
VOLVO 740-760-780, 940-960		



P404902		
D=40	d=26	H=49,8
Rear Piston Ø40 Aisin Type		
TOYOTA AVENSIS, CELICA		



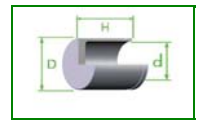
P404903		
D=40	d=31,5	H=49,6
Front Piston Ø40 Girling Type		
CHEVROLET CAPTIVA; OPEL ANTARA; VOLVO 740-760-780, 940-960		



P404904		
D=40	d=25	H=49
Rear Piston Ø40 Ate Type		
VOLVO C70, S70, V70		



P404905		
D=40	d=29	H=49,7
Rear Piston Ø40 Ate Type		
OPEL GT, SIGNUM, VECTRA		




P405001		
D=40	d=30	H=50,5
Rear Piston Ø40 Ate Type		
BMW 1 SERIES; MERCEDES C-CLASS, CLC-CLASS		




P405002		
D=40,4	d=31,5	H=50,5
Front Piston Ø40 Tokico / Nissan Type		
SUBARU, NISSAN		



P405101		
D=40	d=32	H=51,5
Caliper Piston Ø40 Nissin Type		
HONDA		

image not available



P405102		
D=40,4	d=35	H=51
TOYOTA LEXUS		



P405201		
D=40	d=25	H=52
Rear Piston Ø40 Ate (Aluminium)		
BMW 5 SERIES		



P405202		
D=40	d=25	H=52
Rear Piston Ø40 Ate Type		
BMW 7 SERIES		



P405203		
D=40	d=22	H=52
Rear Piston Ø40 Ate Type		
BMW		



P405204		
D=40	d=28	H=52




P405301		
D=40	d=31,5	H=53
Front Piston Ø40 Lucas Type		
AUDI, BMW, CITROËN, FIAT, NISSAN, OPEL, PEUGEOT, RENAULT		



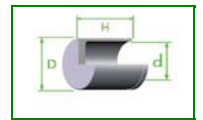
P405501		
D=40	d=30,1	H=55
Rear Piston Ø40 Ate Type		
FORD MAVERICK, MAZDA TRIBUTE, MERCEDES M-CLASS		



P412801		
D=41	d=31	H=28,4
Rear Piston Ø41 AP Type		
DAF SHERPA, V 200, V400; LAND ROVER DEFENDER, DISCOVERY, RANGE		



P413401		
D=41	d=31	H=34,2
Front Piston Ø41 AP Type		
DAF, FORD, IVECO, LAND ROVER, ROVER		




P413402		
D=41	d=30,5	H=34,5
Rear Piston Ø41 Ake Type		
MITSUBISHI		



P414101		
D=41	d=32	H=41
Rear Piston Ø41 Ake Type		
MITSUBISHI		



P414301		
D=41	d=26	H=44
Rear Piston Ø41 NBK Type		
ISUZU TROOPER		



P414501		
D=41	d=29	H=45,8
Front/Rear Piston Ø41 Akebono Type		
HYUNDAI, MAZDA, MITSUBISHI, LEXUS, OPEL		



P414502		
D=41	d=36,5	H=45
Rear Piston Ø 41 Akebono Type		
MITSUBISHI ASX, OUTLANDER		



P414601		
D=41	d=35	H=46,5
Rear Piston Ø41 Akeb. Type		
TOYOTA MR2		




P414701		
D=41	d=29	H=47
Caliper Piston Ø41		
GRAT WALL		



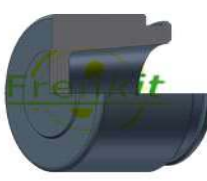
P415101		
D=41	d=35	H=51
Rear Piston Ø41 Lucas Type		
ALFA, AUDI, CITROËN, FIAT, NISSAN, OPEL, RENAULT, SEAT, SKODA, VW		



P415201		
D=41	d=29	H=52
Rear Piston Ø41 Trw Type		
AUDI A6; VW PASSAT, CC, TIGUAN		



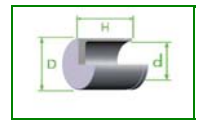
P422601		
D=42	d=32	H=26
Front Piston Ø42 Citroen (Aluminium)		
CITROËN 2 CV, CX, GS, C32, C35		




P422701		
D=42	d=13,5	H=27,5
Front Piston Ø42 Brembo Type (Aluminium)		
AUDI		



P422801		
D=43	d=31	H=28,5
Front Piston Ø42 Sumitomo Type		
MITSUBISHI 3000 GT; TOYOTA HILUX, 4-RUNNER, LAND CRUISER; VW TARO		





P422901		
D=42	d=21,5	H=29,5
Front/Rear Piston Ø42 Ate Type		
BMW, MERCEDES, OPEL, PORSCHE, VW		



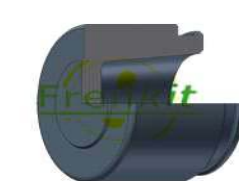
P422902		
D=42	d=25,5	H=29
Front Piston Ø42 Brembo (Aluminium)		
ALFA ROMEO 159, 166; PEUGEOT 607		




P422903		
D=42	d=23	H=29,5
Rear piston Ø42 Ate Type		
MERCEDES KOMBI T MODEL, E-CLASS		



P422904		
D=42	d=30	H=29,5
Rear Piston Ø42 Ate (Aluminium)		
MERCEDES		



P422906		
D=42	d=13,5	H=29,5
Front Piston Ø42 Brembo Type		
MERCEDES C-CLASS		




P423001		
D=42	d=30	H=30,8
Front Piston Ø42 Ate Type		
MERCEDES E-CLASS		




P423002		
D=42	d=30	H=30,2
Front Piston Ø42 Ate Type		
MERCEDES 190, E-CLASS, SL		



P423003		
D=42	d=30	H=30
Rear Piston Ø42 Ate Type		
MERCEDES C-CLASS, CLK, E-CLASS, SL		




P423005		
D=42	d=25,5	H=30
Front Piston Ø42 Brembo (Aluminium)		
ALFA ROMEO		



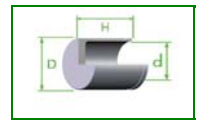
P423101		
D=42	d=30	H=31,8
Rear Piston Ø42 Ate Type		
OPEL OMEGA		



P423201		
D=42	d=30	H=32,7
Front Piston Ø42 Ate Type		
MERCEDES C-CLASS, CLK, E-CLASS		



P423202		
D=42	d=25,5	H=32
Front Piston Ø42 Brembo (Aluminium)		
ALFA ROMEO 147, PEUGEOT 406		




P423501		
D=42	d=27	H=35,7
Front Piston Ø42 Brembo Type		
IVECO DAILY		



P424401		
D=42	d=32	H=44,6
Front Piston Ø42 PBR Type		
FORD TERRITORY		



P424601		
D=43	d=34,4	H=46,8
Rear Piston Ø 42.8 Lucas Type		
FORD, MAZDA, NISSAN		



P424602		
D=42	d=30	H=46,9
Front Piston Ø42 Bosch Type		
SMART CABRIO, CITY COUPE, CROSSBLADE, FORTWO, ROADSTER		



P424801		
D=43	d=34	H=48,9
Front Piston Ø43 Lucas Type		
FORD, HYUNDAI, NISSAN, KIA		




P424802		
D=42	d=25	H=48
Rear Piston Ø42 Ate Type		
BMW 3 SERIES, X3		



P424803		
D=42	d=25	H=48
Front Piston Ø42 Bendix Type		
RENAULT R30, TRAFIC		



P424901		
D=42	d=25,6	H=49
Rear Piston Ø42 Ate Type		
VOLVO C70, S60, S70, S80, V70, XC70		



P425001		
D=42	d=20	H=51
Rear Piston Ø42 Ate		
CHRYSLER VOYAGER III, IV SERIES		

OEM: PHENOLIC FRENKIT: STEEL



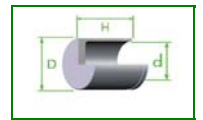
P425002		
D=42	d=30	H=50,5
Rear Piston Ø42 Ate Type		
BMW 1 SERIES, 3 SERIES, X1; MERCEDES GLK-CLASS		



P425101		
D=42	d=30	H=51
Front Piston Ø42 Bosch/Bdx.Type		
FORD TRANSIT		



P425102		
D=43	d=34,4	H=51,3
Rear Piston Ø42.8 Lucas Type		
AUDI, CHRYSLER, JAGUAR, VW		

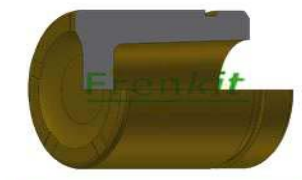



P425103		
D=42	d=36,5	H=51
Rear Piston Ø42 Bosch Type		
NISSAN INTERSTAR; OPEL MOVANO; RENAULT MASTER		



OEM: PHENOLIC FRENKIT: STEEL

P425104		
D=42	d=20	H=51
Rear Piston Ø42 Ate		
MERCEDES CLS, E-CLASS, S-CLASS		



OEM: PHENOLIC FRENKIT: STEEL

P425105		
D=42	d=21	H=51,5
Front Piston Ø 42 Varga Type		
FORD RANGER, MAZDA BT-50		



P425201		
D=42	d=25	H=52
Rear Piston Ø42.8 Ate Type		
BMW 3, 5, 6 SERIES, X5; LAND ROVER RANGE ROVER		



P425202		
D=42	d=25,1	H=52,25
Rear Piston Ø42 Ate (Aluminium)		
BMW 5 (E39)Touring		



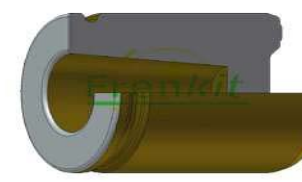
P425203		
D=42	d=36	H=52
Rear Piston Ø42 Trw Type		
BMW X3, X4, Z4		



P425204		
D=42	d=30	H=52
Rear Piston Ø42 Bosch Type		
BMW		



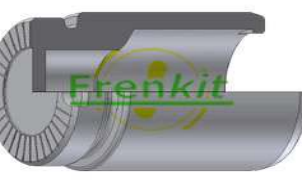
P425301		
D=42	d=30	H=53,2
Rear Piston Ø42 Brembo Type		
IVECO DAILY, OPEL INSIGNIA, SAAB 9.5		



P425302		
D=42	d=21	H=53
Front Piston Ø42 Chrysler (Phenolic)		
CHRYSLER		



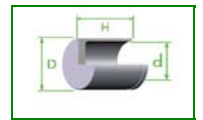
P425303		
D=42	d=	H=53
Rear Piston Ø42 Bosch Type		
CITROEN C4 GRAND PICASSO		



P425304		
D=42	d=30	H=53,5
Rear Piston Ø42 Ate Type		
AUDI, MERCEDES, SKODA, VW, VOLVO		



P425501		
D=42	d=30	H=55,5
Rear Piston Ø42 Ate Type		
BMW X5, X6; MERCEDES G-CLASS, GL- CLASS, M-CLASS, R-CLASS		




P425502		
D=42	d=25	H=55,5
Front Piston Ø42 Ate (Aluminium)		
AUDI A6, A7, A8, VW PHAETON		



P425503		
D=42	d=32	H=55
Rear Piston Ø42 Brembo Type		
MERCEDES V-CLASS, VITO		



P425601		
D=42	d=25	H=56
Rear Piston Ø42 Ate Type		
AUDI A8; BMW 5, 6, 7 SERIES, X5; VW PHAETON		



P432801		
D=43	d=31	H=28,6
Front Piston Ø43 Sumitomo Type		
TOYOTA HILUX, LAND CRUISER, 4-RUNNER		



P432901		
D=43	d=32	H=29
Rear Piston Ø43 Girling Type		
JAGUAR E TYPE, XJ SERIES, XJS SERIES		



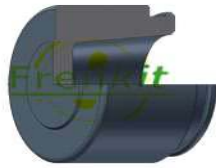
P433101		
D=43	d=27	H=31
Front Piston Ø43 Advics Type		
HONDA LEGEND; LEXUS LS, GS; TOYOTA SUPRA		



P433102		
D=43	d=31	H=31,5
Front Piston Ø43 Sumitomo Type		
TOYOTA HILUX		



P433103		
D=43	d=29,5	H=31,5
Front Piston Ø43 Sumitomo Type		
TOYOTA LAND CRUISER, LEXUS LX		



P433104		
D=43	d=27	H=31
Front Piston Ø43 Advics (Aluminium)		
HONDA LEGEND		



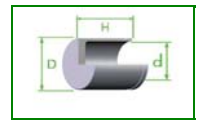
P434501		
D=43	d=25	H=44,8
Front Piston Ø43 Akebono Type		
CITROËN, HYUNDAI, MITSUBISHI, NISSAN, PEUGEOT, TOYOTA		



P434502		
D=43	d=32,5	H=45
Rear Piston Ø43 Toyota Type		
TOYOTA AVENSIS, PREVIA		



P434503		
D=43	d=32	H=45
Rear Piston Ø43 Sumitomo Type		
MITSUBISHI MONTERO, PAJERO, SHOGUN		





P434504		
D=43	d=32	H=45
Rear Piston Ø43 Akebono Type		
NISSAN MURANO		



P434505		
D=43	d=29	H=45
Rear Piston Ø43 AkebonoType		
NISSAN MURANO, QUASHQAI; RENAULT KOLEOS; TOYOTA CAMRY, CELICA		



P434601		
D=43	d=25	H=46
Rear Piston Ø43 Aisin Type		
LEXUS LS, TOYOTA CAMRY		



P434602		
D=43	d=35	H=46
Rear Piston Ø43 Akebono Type		
TOYOTA MR2		



P434701		
D=43	d=31	H=47
Rear Piston Ø43 Kasko Type		
HYUNDAI ix55; KIA CARNIVAL, SORENTO		



P434702		
D=43	d=29	H=47
Front Piston Ø 43		
GREAT WALL HOVER H5		




P434801		
D=43	d=29	H=48
Front Piston Ø43 Akebono Type		
FORD, MAZDA, MITSUBISHI, NISSAN, SUBARU		



P434802		
D=43	d=35	H=48
Front Piston Ø43 Nissan Type		
FORD, MAZDA, NISSAN, SUBARU		



P434804		
D=43	d=34	H=48
Rear Piston Ø43 Advi Type		
LEXUS IS, GS; TOYOTA CROWN		



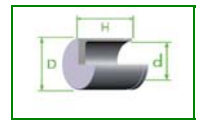
P434805		
D=43	d=23	H=48
Front Piston Ø43 Nissan (Phenolic)		
NISSAN PICK UP		



P434901		
D=43	d=34	H=48,9
Front/Rear Piston Ø43 Mando/Nissan		
HONDA, HYUNDAI, MAZDA, MITSUBISHI, NISSAN, SSANGYONG		



P435001		
D=43	d=29	H=50
Front Piston Ø43 Akebono Type		
TOYOTA CAMRY		




P435101		
D=43	d=34	H=51,5
Rear Piston Ø42 Nissin Type		
HONDA ACCORD, LEGEND		



P435201		
D=43	d=33	H=52
Rear Piston Ø43 Trw Type		
AUDI A5, A6, A8, Q5; LAND ROVER RANGE ROVER		



P435301		
D=43	d=35	H=53,6
Front Piston Ø43 Girling Type		
CITROËN C25, FIAT DUCATO, PEUGEOT J5		



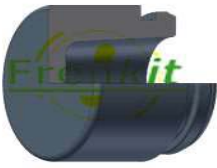
P435501		
D=43	d=30,5	H=55
Front Piston Ø43 Girling Type		
AUDI 100, A6, A8; VW PHAETON		



P435502		
D=42,8	d=31	H=55
Front Piston Ø43 Lucas Type (Aluminium)		
AUDI, VW		



P442901		
D=44	d=21,5	H=29,5
Front Piston Ø44 Ate Type		
DAF 44, 55, 66; OPEL KADETT; TALBOT SIMCA 900, 1000; VOLVO 66		



P442902		
D=44	d=25	H=29
Front Piston Ø44 Brembo (Aluminium)		
CITROEN C8, PEUGEOT 807		



P442903		
D=44	d=32	H=29
Front Piston Ø44 Girling Type		
VOLKSWAGEN, SEAT		




P443001		
D=44	d=25	H=30,6
Front Piston Ø44 Ate Type		
OPEL		



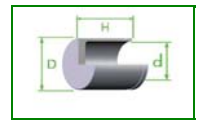
P443002		
D=44	d=27,5	H=30
Front Piston Ø44 Brembo (Aluminium)		
OPEL ASTRA, INSIGNIA, SAAB 9.5		



P443003		
D=44	d=0	H=30
Front Piston Ø44 Skoda Type		
SKODA S100-S110		



P443201		
D=44	d=27	H=32
Front Piston Ø44 Brem/Ate (Aluminium)		
BMW 5, 7, 8 SERIES; MERCEDES C-CLASS, CLK, CLS, E-CLASS, M-CLASS		




P443202		
D=44	d=6	H=32
Front Piston Ø44 Brembo (Aluminium)		
JAGUAR, MERCEDES, NISSAN, VW		



P443203		
D=44	d=30	H=32,7
Front Piston Ø44 Ate Type		
BMW M5, 750, 850csi		



P443301		
D=44	d=32	H=32,5
Front Piston Ø44 Girling Type		
VW PASSAT, GOLF, JETTA, SIROCCO		



P443401		
D=44	d=29,5	H=34,6
Front Piston Ø43 Perrot/Brembo Type		
IVECO DAILY; MERCEDES G-CLASS, T1, T1/TN		



P443402		
D=44	d=32	H=34,5
INFINITY FX50		



P443501		
D=44	d=27	H=35,2
Front Piston Ø44 Lucas Type		
MERCEDES S-CLASS		



P443502		
D=44	d=22	H=35
Front Piston Ø44 Perrot Type		
MERCEDES		



P443701		
D=44	d=25	H=37
Front Piston Ø44 Ate Type		
MERCEDES G-CLASS, T1, T1/TN, T2/LN1		



P444501		
D=44	d=29	H=45,8
Rear Piston Ø 44 Akebono Type		
MITSUBISHI PAJERO, MONTERO		



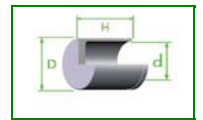
P444502		
D=44	d=25	H=45,5
Front Piston Ø44 Akebono Type		
TOYOTA F MODEL, PREVIA		



P444503		
D=44,4	d=34	H=45



P444601		
D=44	d=30	H=46,5
Front Piston Ø44 Ate Type		
AUDI 80, 90; VW GOLF, JETTA, PASSAT, POLO		




P444602		
D=44,3	d=35	H=46
Rear Piston Ø44 Akebono Type		
TOYOTA MR2		



P444701		
D=44	d=34	H=47,5
Rear Piston Ø44 K/H Type		
MERCEDES M-CLASS		



P444801		
D=44	d=36	H=48
Rear Piston Ø44 Advics Type		
LEXUS GS		



P445001		
D=44	d=23	H=50,8
Front Piston Ø44 Aisin Type		
LEXUS GS, IS, LS; TOYOTA SUPRA		



P445002		
D=44	d=30	H=50,5
Front Piston Ø44 Ate		
BMW X5, X6		



P445003		
D=44	d=32	H=50,5
Rear Piston Ø44 AteType		
BMW 5, 7 SERIES; FORD GALAXY, S-MAX		



P445101		
D=44,4	d=34	H=51
Front Piston Ø44 Toyota Type		
LEXUS, TOYOTA		



P445201		
D=44	d=34	H=52,4
Front Piston Ø43 Akebono Type		
NISSAN X-TRAIL		



P445202		
D=44	d=33	H=52
Rear Piston Ø44 Trw Type		
BMW, MERCEDES		



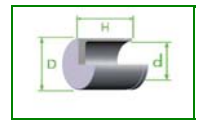
P445301		
D=44	d=29	H=53
Front Piston Ø44 Ate Type		
AUDI 50 80, 90; VW GOLF, JETTA, PASSAT, SCIROCCO		



P445302		
D=44,4	d=35	H=53
Front Piston Ø44mm Type		
LEXUS RX, TOYOTA HIGHLANDER, KLUGER, SIENA		



P445501		
D=44	d=32	H=55,5
Front Piston Ø44 Ate Type		
AUDI, BMW, MERCEDES, PORSCHE, VOLVO, VW		




P445502		
D=44	d=35	H=55
Front Piston Ø44 Brembo Type		
IVECO DAILY		



P445601		
D=44	d=25	H=56
Front Piston Ø44 Ate Type		
MERCEDES E-CLASS, S-CLASS		



P445602		
D=44	d=34,5	H=56,5
Front Piston Ø44 Bosch Type		
MERCEDES		



P445701		
D=44	d=31	H=57,5
Front Piston Ø44 Brembo Type		
CITROËN JUMPER, FIAT DUCATO, PEUGEOT BOXER		




P446101		
D=44	d=35	H=61
Front/Rear Piston Ø44 Brembo Type		
IVECO DAILY; RENAULT MASCOTT; NISSAN CABSTAR, ATLAS		



P446301		
D=44	d=35	H=63
Front/Rear Piston Ø44 Perrot Type		
MERCEDES SPRINTER; VW LT SERIES		



P452601		
D=45	d=32	H=26,5
Front Piston Ø45 Citroen (Aluminium)		
CITROEN LNA, VISA, C15		



P452901		
D=45	d=34	H=29
Front Piston Ø45 Sumitomo Type		
TOYOTA LAND CRUISER, 4-RUNNER		



P453102		
D=45	d=32	H=31,5
Front Piston Ø45 Sumitomo Type		
LEXUS, MITSUBISHI, TOYOTA		



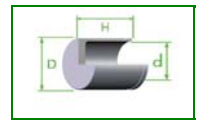
P454501		
D=45	d=37	H=45
Front Piston Ø45 Bendix Type		
RENAULT CLIO, EXPRESS, R4, R5, R6, SUPER 5, TWINGO		



P454502		
D=45	d=36	H=45,5
Front Piston Ø45 Toyota Type		
NISSAN MICRA		



P454503		
D=45	d=33	H=45,5
Rear Piston Ø45 Bendix Type		
TALBOT MATRA, MURENA		




P454601		
D=45	d=34	H=46
Front Piston Ø45 Sumitomo Type		
MITSUBISHI GRANDIS, PAJERO, MONTERO, SHOGUN		



P454801		
D=45	d=36	H=48
Front Piston Ø45 Lucas Type		
CHEVROLET, RENAULT, LAND ROVER		



P454802		
D=45	d=35	H=48
Front Piston Ø45 Lucas Type		
RENAULT 4,5,6		



P454901		
D=45	d=29	H=49,7
Rear Piston Ø45 Ate Type		
JAGUAR XJ, XJS, XF, XK SERIES		



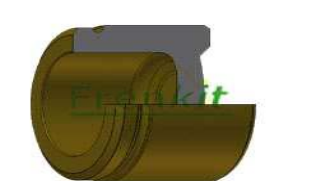
P454902		
D=45	d=34	H=49
Front Piston Ø45 Mando Type		
HYUNDAI SANTA FE, GENESIS; KIA SORENTO; OPEL ANTARA		



P454903		
D=45	d=34	H=49
Rear Piston Ø45 Sumit. Type		
TOYOTA LAND CRUISER, FJ CRUISER, 4-RUNNER		



P455001		
D=45	d=33,5	H=50,3
Front Piston Ø45 Ate (Aluminium)		
CITROËN AX, SAXO; PEUGEOT 106		



OEM: PHENOLIC FRENKIT: STEEL

P455002		
D=45	d=28,5	H=50
Front Piston Ø45 Ate		
JAGUAR S-TYPE, XJ SERIES, XJS SERIES		



P455101		
D=45	d=37	H=51
Front Piston Ø48 Bendix Type		
NISSAN INTERSTART; OPEL MOVANO; RENAULT MASTER, TRAFIC		



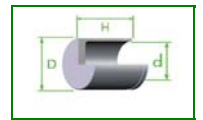
P455102		
D=45	d=37	H=51
Front Piston Ø45 Nissan Type0		
NISSAN NAVARA, MURANO, PATHFINDER; RENAULT KOLEOS		



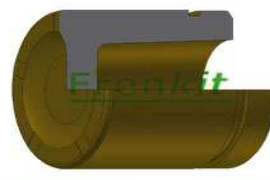
P455202		
D=45,4	d=37	H=52,7
Rear Piston Ø45 Varga Type		
DODGE JOURNEY, GRAND CARAVAN, FORD EXPLORER		



P455301		
D=45	d=37	H=53
Front Piston Ø45 Lucas Type		
AUDI, CITROËN, FIAT, LAND ROVER, NISSAN, OPEL, PEUGEOT, RENAULT		




P455302		
D=45	d=30	H=53,1
Rear Piston Ø5 Ate Type		
MERCEDES SPRINTER, VW LT SERIES		



OEM: PHENOLIC FRENKIT: STEEL

P455303		
D=45	d=25,5	H=53,6
Front piston Ø45 Akebono		
ISUZU D-MAX, HOLDEN RODEO		



P455304		
D=45	d=34	H=53
Front/Rear Piston Ø45 Sumitomo Type		
TOYOTA LAND CRUISER; MAZDA CX-7, CX-9; LEXUS LX		



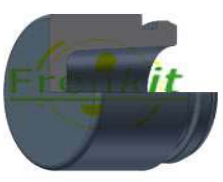
P455305		
D=45,3	d=37	H=53,5
Front Piston Ø 45 Nissin Type		
HONDA CIVIC VIII SERIES, CROSSTOUR		



P455601		
D=45	d=35	H=56,3
Front piston Ø45 Bosch Type		
MERCEDES SPRINTER		



P462901		
D=46	d=30	H=29,1
Rear Piston Ø46 Ate Type		
MERCEDES E-CLASS, S-CLASS, SL		



P462902		
D=46	d=29,5	H=29
Front Piston Ø46 Brembo Type		
SUBARU IMPREZA STI		



P463001		
D=46	d=36	H=30,7
Front/Rear Piston Ø46 AP Type		
DAF SERPHA, V200, V400; FORD TRANSIT; LAND ROVER 90-110 DEFENDER		



P463002		
D=46	d=30	H=30
Rear Piston Ø46 Bendix Type		
MERCEDES E-CLASS, S-CLASS		



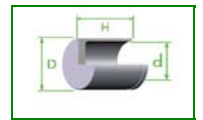
P463201		
D=46	d=4	H=32
Front Piston Ø46 Brembo (Aluminium)		
LAND ROVER RANGE ROVER, VW TOUAREG		



P464601		
D=46	d=31	H=46,5
Front Piston Ø46 Kasco Type		
HYUNDAI H100; KIA CARNIVAL, PREGIO, SORENTO		



P464701		
D=46	d=31	H=47
Front Piston Ø46 Kasco Type		
KIA SORENTO		



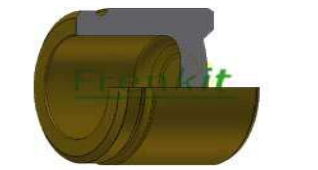

P464801		
D=46	d=30	H=48
Rear Piston Ø46 Ate Type		
BMW 3, 5, 6, 7 SERIES		



P464802		
D=46	d=25	H=48
Rear Piston Ø46 Ate Type		
BMW M3, Z4		



P465101		
D=46	d=37	H=51
Front Piston Ø45 Nissan type		
NISSAN KING CAB, NAVARA, PATHFINDER, PICK-UP		



P465102		
D=46	d=28	H=51
Front Piston Ø46 Ford (Phenolic)		
FORD EXPLORER		



P465103		
D=46	d=37	H=51
Front Piston Ø46 Kasco Type		
HYUNDAI ix55		



P465601		
D=46	d=33	H=56,6
Front Piston Ø46 Brembo Type		
CITROËN JUMPER, FIAT DUCATO, PEUGEOT BOXER		



P465801		
D=46	d=37	H=58
Front Piston Ø46 Brembo Type		
CITROËN JUMPER, FIAT DUCATO, PEUGEOT BOXER		




P465901		
D=46	d=37	H=59,5
Rear Piston Ø46 Brembo Type		
CITROËN, FIAT, IVECO, PEUGEOT, RENAULT		



P466601		
D=46	d=26	H=66
Rear Piston Ø46 Brembo Type		
NISSAN CABSTAR/ATLAS		



P474901		
D=47,5	d=36	H=49
HONDA PILOT		

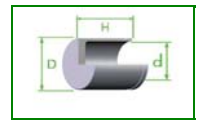


OEM: PHENOLIC FRENKIT: STEEL

P475901		
D=47,5	d=26	H=59
Front Piston Ø46 Akebono		
JEEP GRAND CHEROKEE		




P482901		
D=48	d=37	H=29
Front Piston Ø48 Ate/Lucas/Tokico		
BMW, FORD, HONDA, JAGUAR, NISSAN, OPEL, PEUGEOT, RENAULT, TALBOT, VOLVO		




P482902		
D=48	d=31	H=29
Front Piston Ø48 Tokico Type		
HONDA CIVIC; NISSAN CHERRY, SUNNY, PULSAR, 100NX		



P482903		
D=48	d=37	H=29
Front Piston Ø48 Bendix Type		
TALBOT HORIZON		



P483001		
D=48	d=32	H=30
Front Piston Ø48 Ate Type		
ALFA ROMEO, AUDI, BMW, FORD; OPEL, PORSCHE, SAAB, TALBOT		



P483101		
D=48	d=37	H=31,5
Front Piston Ø48 Sumitomo Type		
TOYOTA LAND CRUISER		




P483102		
D=48	d=34,5	H=31,5
Front Piston Ø48 Sumitomo Type		
LEXUS LX, TOYOTA LAND CRUISER		



P483301		
D=48	d=32	H=33
Front Piston Ø48 Lada Type		
LADA NOVA, RIVA, 1200-1300-1500-1600, 2101-2102-2103-2104-2105		



P483701		
D=48	d=25	H=37
Front/Rear Piston Ø 48 Ate Type		
MERCEDES UNIMOG		



P484201		
D=48	d=39,5	H=42
Front Piston Ø48 Aisin Type		
SUZUKI SWIFT		



P484301		
D=48	d=36	H=43,5
Front Piston Ø48 Delco Type		
ALFA ROMEO, OPEL		



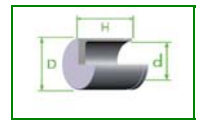
P484401		
D=48	d=35	H=44,4
Front Piston Ø48 Ate Type		
OPEL ASCONA, COMBO, CORSA, KADETT, MANTA, VECTRA, REKORD, SENATOR		



P484402		
D=48	d=34,5	H=44
Front Piston Ø48 Bendix Type		
ALFA, CITROËN, PEUGEOT, RENAULT, TALBOT		



P484403		
D=48	d=38,3	H=44,5
Front Piston Ø48 Akeb/Toyota/Nih		
NISSAN SUNNY, PULSAR, 100NX; SUBARU MINI JUMBO; TOYOTA PASEO		




P484501		
D=48	d=39,5	H=45
Front Piston Ø48 Bendix Type		
MERCEDES MB 100		



P484502		
D=48	d=39,5	H=45
Front Piston Ø48 Sumitomo Type		
KIA PRIDE, MAZDA 121		



P484503		
D=48	d=38,3	H=45,5
Front Piston Ø48 Sumit./Toyota Type		
TOYOTA COROLLA, IQ, STARLET		



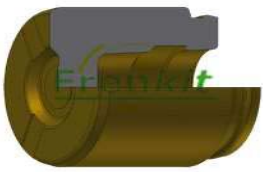
P484601		
D=48	d=36,5	H=46,6
Front Piston Ø48 Bosch Type		
SEAT AROSA		



P484602		
D=48	d=38	H=46,6
Front Piston Ø48 Ate Type		
SEAT CORDOBA, IBIZA; VW GOLF, JETTA, POLO		



P484701		
D=48	d=38,3	H=47
Front Piston Ø48 Bendix Type		
FIAT, FORD, LANCIA, OPEL, SUBARU, SUZUKI		



P484703		
D=48	d=23	H=47,3
Front/Rear Piston Ø48 K/H (Phenolic)		
FORD EXPLORER; JEEP CHEROKEE, GRAND CHEROKEE, WRANGLER		



P484801		
D=48	d=34	H=48,8
Front Piston Ø48 Teves Type		
CITROËN, DAEWOO, OPEL, PEUGEOT		



P484802		
D=48	d=38,3	H=48
Front Piston Ø48 Ate Type		
ALFA, BMW, SUZUKI		



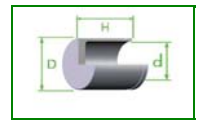
P484803		
D=48	d=38,3	H=48,5
Front/Rear Piston Ø48 Tok/Nis/Sum.		
NISSAN, SUBARU, SUZUKI, MITSUBISHI, NISSAN, TOYOTA		



P484804		
D=48	d=38,5	H=48,5
Front Piston Ø48 Dac Type		
CHEVROLET LANOS, MATIZ; DAEWOO LANOS, MATIZ		



P484805		
D=48	d=32,5	H=48,3
Front Piston Ø48 Ate (Aluminium)		
AUDI A2, VW LUPO		



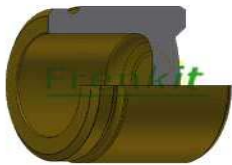

P484806		
D=48	d=36,5	H=48
Front Piston Ø48 Lucas Type		
LANCIA, RENAULT, SAAB, SEAT, SUZUKI		



P484901		
D=48	d=38,3	H=49,7
Front Piston Ø48 Lucas Type		
FIAT, LANCIA, NISSAN, ROVER		



P484902		
D=48	d=38	H=49
Front Piston Ø48 Bosch Type		
CITROËN, PEUGEOT, RENAULT		



P484904		
D=48	d=29,5	H=49,5
Rear Piston Ø48 Lucas Type (Phenolic)		
JEEP CHEROKEE, WRANGLER		



P484905		
D=48	d=38	H=49
Front Piston Ø48		
LADA SAMARA, FORMA		




P485001		
D=48	d=38,3	H=50
Front Piston Ø48 Bendix Type		
CITROËN, FIAT, FORD, NISSAN, PEUGEOT		



P485002		
D=48	d=38,3	H=50,5
Front Piston Ø48 Bosch Type		
CITROËN, NISSAN, OPEL, PEUGEOT, RENAULT, SEAT, SUBARU, SUZUKI		



P485003		
D=48	d=34,5	H=50
Front Piston Ø48 Bendix Type		
FIAT, LANCIA, POLSKI, SEAT, ZASTAVA YUGO		



P485004		
D=48	d=24	H=50,5
Rear Piston Ø48 Type (Phenolic)		
MERCEDES SUV; JEEP CHEROKEE		



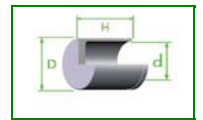
P485005		
D=48	d=40,5	H=50
Front Piston Ø48 Bendix Type		
FORD		



P485007		
D=48	d=36	H=50,5
Front Piston Ø 48 Ate Type		
RENAULT CLIO, TWINGO, DACIA LOGAN, SANDERO		



P485101		
D=48	d=34	H=51
Front Piston Ø48 Teves Type		
FIAT DUNA, FIORINO, PALIO; FORD, FIESTA, KA; MAZDA 121		




P485102		
D=48	d=38,5	H=51
Front Piston Ø48 Lucas Type		
ALFA, FIAT, HYUNDAI, LANCIA		




P485201		
D=48	d=37	H=52,7
Front Piston Ø48 Ate Type		
FIAT PUNTO; LANCIA Y10, A112, FIRE LX		



P485202		
D=48	d=38,5	H=52,8
Front/Rear Piston Ø48 Sum/Nissan		
NISSAN PATROL, TOYOTA LAND CRUISER		



P485203		
D=48	d=38,5	H=52,5
Front Piston Ø48 Bosch Type		
CITROEN C1, FORD TRANSIT, PEUGEOT 107, TOYOTA AYGO, VW AMAROK		



P485204		
D=48	d=24	H=52
Front/Rear Piston Ø48 Ate (Phenolic)		
JEEP GRAND CHEROKEE		



P485205		
D=48	d=38	H=52
Rear Piston Ø48 Bosch Type		
FORD TRANSIT		



OEM: PHENOLIC FRENKIT: STEEL

P485206		
D=48	d=30	H=52,4
Front/Rear Ø48 K/H		
JEEP GRAND CHEROKEE		



P485302		
D=48	d=38,5	H=53,6
Front Piston Ø48 Lucas Type		
AUDI, CITROËN, DACIA, FIAT, LADA, LAND ROVER, PEUGEOT, RENAULT, ISUZU, VW		



P485303		
D=48	d=43	H=53,5
Rear Piston Ø48 Brembo Type		
NISSAN NV400, OPEL MOVANO, RENAULT MASTER		



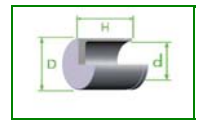
P485304		
D=48	d=38,5	H=53,7
Rear Piston Ø48 Bosch Type		
MERCEDES G-CLASS (460-461-463)		



P485401		
D=48	d=36,5	H=54,6
Front Piston Ø48 Bosch/Ate Type		
SEAT; SKODA; VW		



P485501		
D=48	d=38,5	H=55,2
Front Piston Ø48 Ate Type		
SEAT, VW		




P485502		
D=48	d=36,2	H=55,5
Front Piston Ø48 Ate Type		
FORD FIESTA, KA; MINI MINI		




P485503		
D=48	d=37	H=55
Front Piston Ø48 Lucas Type		
VW CADDY, GOLF, JETTA, PASSAT, SANTANA, SCIROCCO		



OEM: PHENOLIC FRENKIT: STEEL

P485504		
D=48	d=38	H=55
Front Piston Ø48 Lucas		
OPEL CORSA, COMBO		



P485505		
D=48	d=24	H=55,5
Front Piston Ø48 Type (Phenolic)		
MERCEDES SUV, JEEP CHEROKEE		



P485506		
D=48	d=38	H=55,5
Front Piston Ø48 Brembo Type		
NISSAN NV400, OPEL MOVANO, RENAULT MASTER		



OEM: PHENOLIC FRENKIT: STEEL

P485601		
D=48	d=25,5	H=56,7
Front Piston Ø48 Ate (Phenolic)		
OPEL ASTRA G SERIES		



P485701		
D=48	d=38,5	H=57,5
Front Piston Ø48 Brembo Type		
CITROEN JUMPER, FIAT DUCATO, PEUGEOT BOXER		



P485901		
D=48	d=38	H=59,5
Front Piston Ø48 Brembo Type		
IVECO DAILY; MERCEDES SPRINTER, VITO; NISSAN ATLAS, CABSTAR; VW		



P486001		
D=48	d=38,5	H=60,5
Front Piston Ø48 Bosch Type		
MERCEDES VIANO, VITO, SPRINTER; VW CRAFTER		



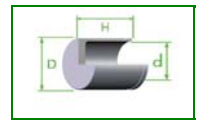
P486301		
D=48	d=33	H=63,5
Front Piston Ø48 Bosch Type		
PEUGEOT J7, J9		



P486401		
D=48	d=38,5	H=64
Rear Piston Ø48 Brembo Type		
IVECO DAILY		



P503801		
D=50	d=22	H=38
Rear Piston Ø50 Perrot Type		
IVECO DAILY I		




P505901		
D=50	d=40	H=59,5



P512801		
D=51	d=41,8	H=28,3
Front Piston Ø48 Bendix Type		
AUTHI MORRIS MINI; ROVER MINI 850, 1000, 1300, TRIUMPH		



P513101		
D=51	d=37,5	H=31,5
Front Piston Ø51 Sumitomo Type		
LEXUS LX, TOYOTA LAND CRUISER		



P513901		
D=51	d=41,8	H=39
Front Piston Ø51 Akenono Type		
NISSAN A10, BLUEBIRD, LAUREL; SAAB 95,96		



P514201		
D=51	d=42,5	H=42
Front Piston Ø51 Aisin Type		
SUZUKI JIMMY, SJ410, SJ413, SAMURAI, SWIFT, WAGON		



P514202		
D=51	d=39	H=42,5
Front Piston Ø51 Ake Type		
NISSAN PRAIRE, SENTRA, SUNNY, VANETTE		



P514301		
D=51	d=37	H=43,8
Front Piston Ø51 Nih Type		
HONDA CIVIC		



P514401		
D=51	d=40	H=44,5
Front Ø51 Nih/Lucas/Man/Tokico		
HONDA, HYUNDAI, KIA, ROVER, SUBARU, SUZUKI		



P514402		
D=51	d=43	H=44,8
Front Piston Ø51 Tokico Type		
DAIHATSU COPEN, SIRION, YRV; MITSUBISHI i; SUBARU JUSTY, IGNIS		



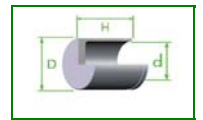
P514403		
D=51	d=37	H=44,2
Front Piston Ø51 Akebono Type		
DAIHATSU CHARMANT; TOYOTA CARINA, CELICA, COROLLA, CORONA		



P514501		
D=51	d=42,5	H=45
Front Piston Ø51 Aisin Type		
TOYOTA MR2, YARIS, YARIS VERSO		



P514502		
D=51	d=38	H=45
Front Piston Ø51 Toyota Type		
TOYOTA CAMRY, CARINA, COROLLA, MR2, STARLET		




P514503		
D=51	d=43,3	H=45
Front Piston Ø51 Sumitomo Type		
DAIHATSU CUORE, HIJET; KIA RIO; MAZDA 121, 323, DEMIO		



P514504		
D=51	d=42	H=45
Front Piston Ø51 Akebono Type		
DAIHATSU APLAUSE, CHARADE, CUORE; HONDA CIVIC		



P514505		
D=51	d=38	H=45
Front Piston Ø51 Sumit/Akeb Type		
DAIHATSU, HONDA, HYUNDAI, MITSUBISHI, TOYOTA		



P514506		
D=51	d=31	H=45
Front Piston Ø51 Akebono Type		
DAIHATSU, MAZDA, TOYOTA		



P514601		
D=51	d=40	H=46
Front Piston Ø51 Sumitomo Type		
HONDA, KIA, MAZDA, MITSUBISHI		



P514801		
D=51	d=40,5	H=48
Front Piston Ø48 Bosch Type		
TOYOTA YARIS		



P514802		
D=51	d=40	H=48
Rear Piston Ø51 Niss/Akeb Type		
NISSAN PATROL GR1		



OEM: PHENOLIC FRENKIT: STEEL

P515201		
D=51	d=32,5	H=52,5
Front Piston Ø51 Niss		
NISSAN		



P515301		
D=51	d=42	H=53
Front Piston Ø51 Tokico Type		
NISSAN PIXO		



OEM: PHENOLIC FRENKIT: STEEL

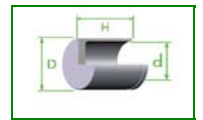
P515501		
D=51	d=39	H=55
Front Piston Ø51 Nissan		
INFINITY QX56; NISSAN ARMADA, TITAN		



P515701		
D=51	d=37,8	H=57
Front Piston Ø51 Toyota Type		
TOYOTA DYNA		



P516001		
D=51	d=42,4	H=60,5
Rear Piston Ø51 Bosch Type		
MERCEDES SPRINTER, VW CRAFTER		




P524301		
D=52	d=38	H=43,5
Front Piston Ø52 Delco Type		
OPEL ASCONA, MANTA, CORSA, KADETT, REKORD		



P524401		
D=52	d=39,5	H=44,2
Front Piston Ø52 Ate Type		
OPEL REKORD		




P524801		
D=52	d=38	H=48
Front Piston Ø52 Ate Type		
DAEWOO, OPEL		



P524802		
D=52	d=42,4	H=48,8
Front Piston Ø52 Dac Type		
CHEVROLET AVEO, SPARK; DAEWOO KALOS, LANOS		



P525001		
D=52	d=30	H=50,2
Front Piston Ø52 Bendix Type		
MERCEDES MB 100, NISSAN CABSTAR/ATLAS, RENAULT MASTER		



P525002		
D=52	d=31	H=50,5
OEM: PHENOLIC FRENKIT: STEEL		



P525301		
D=52	d=42,4	H=53,7
Front Piston Ø52 Bosch Type		
MERCEDES SPRINTER, VW LT SERIES		



P525302		
D=52	d=38	H=54,2
Rear Piston Ø52 Ate Type		
MERCEDES SPRINTER, VW LT SERIES		



P525601		
D=52	d=25,3	H=56,8
Front Piston Ø52 Ate Type		
OPEL ASTRA, ZAFIRA		



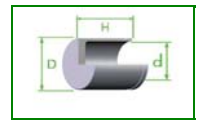
P525602		
D=52	d=39	H=56,6
Front Piston Ø52 Brembo Type		
CITROEN JUMPER, FIAT DUCATO, PEUGEOT BOXER		



P525801		
D=52	d=42,5	H=58
Front Piston Ø52 Brembo Type		
CITROEN JUMPER, FIAT DUCATO, PEUGEOT BOXER		




P525901		
D=52	d=42,5	H=59,5





P526001		
D=52	d=42,5	H=60,5
Front Piston Ø52 Brembo Type		
IVECO, MERCEDES, NISSAN, RENAULT, VW		



P526501		
D=52	d=26	H=65
Rear Piston Ø52 Brembo Type		
IVECO DAILY		



P542801		
D=54	d=45	H=28
Front Piston Ø54 AP Type		
ROVER MG, TRIUMPH		



P542901		
D=54	d=42,2	H=29
Front Piston Ø54 Ate/Bdx/Luc Bosch		
FORD, ROVER, TOYOTA		



P542902		
D=54	d=42	H=29
Front Piston Ø54 Girling Type		
FORD CORTINA, JAGUAR E-TYPE, ROVER MG, VOLVO AMAZON		




P542903		
D=54	d=42	H=29
Front Piston Ø54 Girling Type		
PEUGEOT 504, 505		



P542904		
D=54	d=46	H=29,7
Rear Piston Ø54 Girling Type		
SAAB 90, 900, 99		




P542905		
D=54	d=35	H=29,3
Front Piston Ø54 Ate type		
VW TRANSPORTER		



P543201		
D=54	d=42	H=32,5
Front Piston Ø54 Girling Type		
VOLKSWAGEN TRANSPORTER		



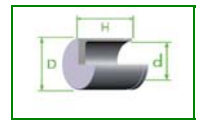
P543301		
D=54	d=35	H=33
Front Piston Ø54 Ate Type		
VW TRANSPORTER		



P543302		
D=54	d=46,2	H=33,3
Rear Piston Ø54 Girling Type		
SAAB 90, 900, 99		



P544201		
D=54	d=42	H=42,5
Front Piston Ø54 Niss/Akeb Type		
NISSAN		




P544301		
D=54	d=40	H=43,5
Front Piston Ø54 Delco Type		
OPEL OMEGA		



P544302		
D=54	d=45	H=43
Front Piston Ø54 Akebono Type		
DAIHATSU FERROZA, ROCKY; MAZDA 929		



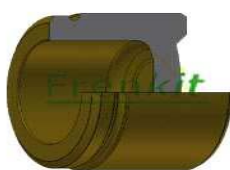
P544401		
D=54	d=45	H=44,5
Front Piston Ø54 Sumitomo Type		
MAZDA MX3, 323		



P544402		
D=54	d=45	H=44
Front Piston Ø54 Nissin Type		
HONDA CIVIC, CRX, PRELUDE		



P544501		
D=54	d=40	H=45
Front Piston Ø54 Akebono Type		
ISUZU, MAZDA, MITSUBISHI, SUZUKI, TOYOTA		



OEM: PHENOLIC FRENKIT: STEEL

P544502		
D=54	d=29,5	H=45,5
Front Piston Ø54 Advics		
FORD PROBE, MAZDA 626, TOYOTA PRIUS		



P544503		
D=54	d=46	H=45
Rear Piston Ø54 Akebono Type		
SUBARU		



P544504		
D=54	d=44	H=45
Rear Piston Ø54 Akebono Type		
HONDA		



P544601		
D=54	d=45	H=46
Front Ø54 Luc/Nih/Akeb/Sum		
HONDA, MAZDA, SUZUKI, VOLVO		



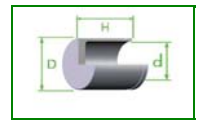
P544602		
D=54	d=35	H=46,8
Front Piston Ø54 Bendix Type		
PEUGEOT 505; RENAULT 5, 6, 18, 20, 30, FUEGO		



P544603		
D=54	d=42	H=46
Front Piston Ø54 Kasko Type		
KIA RIO, SHUMA; MAZDA 929		



P544701		
D=54	d=40	H=47,5
Front Piston Ø54 Akebono Type		
MITSUBISHI COLT, ECLIPSE, GALANT, LANCER, SPACE; SUBARU IMPREZA		




P544702		
D=54	d=36,5	H=47
Front Piston Ø54 Bendix Type		
FIAT, RENAULT, TALBOT		



P544703		
D=54	d=45	H=47,7
Front Piston Ø54 Kasko Type		
HYUNDAI ACCENT, KIA RIO		



P544704		
D=54	d=30	H=47,5
Front Piston Ø54 Akebono Type		
MITSUBISHI L300, MONTERO, PAJERO		



P544801		
D=54	d=40	H=48,1
Front Piston Ø54 Ate Type		
BMW 3 SERIES, Z3, Z4		



P544803		
D=54	d=38	H=48
Front Piston Ø54 Teves Type		
OPEL CALIBRA, OMEGA, VECTRA		



P544804		
D=54	d=43	H=48,5
Front Piston Ø54 Sumitomo Type		
DAIHATSU TERIOS		



P544805		
D=54	d=45	H=48
Front Piston Ø54 Aisin Type		
TOYOTA YARIS		



P544901		
D=54	d=45	H=49,8
Front Piston Ø54 Lucas Type		
ALFA, BMW, FIAT, FORD, HONDA, MERCEDES, MITSUBISHI, SKODA, TOYOTA		



P544902		
D=54	d=40	H=49
Front Piston Ø54 Sumitomo Type		
MAZDA 323, MX5; MITSUBISHI COLT, GALANT, LANCER; TOYOTA COROLLA		



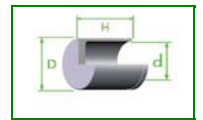
P544903		
D=54	d=45	H=49
Front Piston Ø54 Bendix Type		
PEUGEOT 205; RENAULT, ESPACE FUEGO, R18, R20, R21, NEVADA, R30		



P544904		
D=54	d=45	H=49
Front Piston Ø54 Dac/Nis/Tok/Man		
CHEVROLET, DAEWOO, HYUNDAI, NISSAN, SUZUKI		



P544905		
D=54	d=45	H=49
Front Piston Ø54 Nissan Type		
RENAULT SAMSUNG		




P545001		
D=54	d=45,5	H=50,5
Front Piston Ø54 Bosch Type		
CITROËN, MAZDA, NISSAN, PEUGEOT, RENAULT		



P545003		
D=54	d=40	H=50,5
Front Caliper Piston Ø54 Ate Type		
DACIA, FIAT,		



P545101		
D=54	d=40	H=51
Front Caliper Piston Ø54 Ate Type		
FIAT DOBLO, PALIO; FORD FIESTA, ESCORT, ORION, SIERRA; MAZDA 121		



P545102		
D=54	d=45	H=51,5
Front Piston Ø54 Bendix Type		
CITROËN, FIAT, FORD, LANCIA, PEUGEOT		



P545103		
D=54	d=45	H=51
Front Piston Ø54 Lucas Type		
ALFA ROMEO, FIAT, LANCIA		



P545104		
D=54	d=45	H=51
Front Piston Ø54 Mando Type		
HYUNDAI COUPE, LANTRA, ELANTRA, MATRIX, i20, SOLARIS; KIA JOICE		



P545105		
D=54	d=40	H=51,7
Front Piston Ø54 Ate Type		
DACIA LOGAN		




P545201		
D=54	d=45	H=52,5
Front Piston Ø54 Bosch Type		
ALFA ROMEO, CITROËN, FIAT, NISSAN, OPEL, RENAULT, PEUGEOT		



P545202		
D=54	d=45	H=52,4
Front Piston Ø54 Ate Type		
AUDI 80,90,100, COUPE		



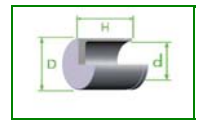
P545203		
D=54	d=46	H=52,7
Front Piston Ø54 Bosch Type		
CITROËN C5		



P545204		
D=54	d=32,5	H=52
Front Piston Ø54 K/H Type (Phenolic)		
CHRYSLER NEON		



P545205		
D=54	d=42	H=52
Front Piston Ø54 Bosch type		
BMW SERIE 1, 2, 3, 4		




P545301		
D=54	d=45	H=53,7
Front Piston Ø54 Lucas Type		
ALFA, VAG, PSA, RENAULT, MERCEDES, NISSAN, OPEL, SUZUKI, VOLVO		



P545302		
D=54	d=40	H=53,1
Front Piston Ø54 Ate Type		
OPEL CALIBRA, OMEGA, VECTRA; SAAB 900		



P545303		
D=54	d=40	H=53
Front Piston Ø54 Ate Type		
BMW 3, 5 SERIES		



P545304		
D=54	d=40	H=53
Front Piston Ø54 Ate Type		
PEUGEOT, PORSCHE, TALBOT		



P545305		
D=54	d=41	H=53,5
Front Piston Ø54 TRW (Aluminium)		
FORD FOCUS		



P545401		
D=54	d=45	H=54,3
Front Piston Ø54 Lucas type		
AUDI 100; MERCEDES C-CLASS		




P545402		
D=54	d=32	H=54
Front Piston Ø54 Bendix type		
CITROËN XANTIA		



P545403		
D=54	d=40	H=54
Front Piston Ø54 Ate Type		
KIA SEPHIA, SHUMA		

image not available



P545404		
D=54	d=45	H=54,5
Rear Piston Ø54 Bosch Type		
FORD TRANSIT		



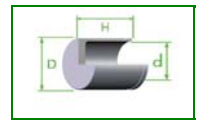

P545501		
D=54	d=43	H=55,5
Front Piston Ø54 Ate Type		
ALFA, FIAT, FORD, LANCIA		



P545502		
D=54	d=40	H=55,5
Front Piston Ø54 Ate Type		
AUDI, BMW, FORD, MAZDA, RENAULT, SEAT, SKODA, VW		



P545503		
D=54	d=34	H=55,3
Front Piston Ø54 Lucas (Phenolic)		
OPEL COMBO, CORSA, MERIVA; TOYOTA YARIS		

P545504		
D=54	d=37	H=55
CITROEN C-ELYSEE		



P545601		
D=54	d=36	H=56
Front Piston Ø54 Ate (Aluminium)		
ALFA ROMEO 147, 156, GT		



P545801		
D=54	d=40	H=58,5
Front Piston Ø54 Ate Type		
AUDI, SEAT, SKODA, VW		



P546301		
D=54	d=45	H=63
Rear Piston Ø54 Meritor Type		
MERCEDES SPRINTER 616D		



P546302		
D=54	d=45	H=63
Rear Piston Ø54 Meritor Type		
MERCEDES SPRINTER 616D		




P572801		
D=57	d=48	H=28,5
Front Piston Ø57 AP Type		
DAF SHERPA, V200; FORD TRANSIT; ROVER 2.300-2.400-2.600-3.500		



P572901		
D=57	d=38	H=29,5
Front Piston Ø57 Ate Type		
OPEL COMMODORE, DIPLOMAT, MONZA, SENATOR		




P573001		
D=57	d=42	H=30
Front Piston Ø57 Teves Type		
MERCEDES /8, CABRIOLET, COUPE, PAGODE, S-CLASS, SL		



P573002		
D=57	d=39	H=30,5
Front Piston Ø57 Teves Type		
MERCEDES S-CLASS, S-CLASS COUPE		



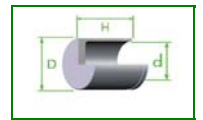
P573101		
D=57	d=43	H=31
Front Piston Ø57 Bendix Type		
MERCEDES /8, PAGODE, S-CLASS, S- CLASS COUPE		



P573102		
D=57	d=39,7	H=31
Front Piston Ø57 Brembo (Aluminium)		
MERCEDES C-CLASS, CLC-CLASS, CLK, SLK		




P573103		
D=57	d=39	H=31,5
Front Piston Ø57 Ate Type		
MERCEDES		




P573104		
D=57	d=45,5	H=31,5
Front Piston Ø57 Sumitomo Type		
NISSAN PATROL		



P573401		
D=57	d=38	H=34
Front Piston Ø57 Teves Type		
VW LT SERIES		



OEM: PHENOLIC FRENKIT: STEEL

P574401		
D=57	d=29	H=44
Front Piston Ø57 Sumit		
TOYOTA PRIUS		



P574501		
D=57	d=46	H=45,5
Front Piston Ø57 Aisin Type		
TOYOTA COROLLA, CELICA, PRIUS		



P574502		
D=57	d=44	H=45
Front Piston Ø57 Aisin Type		
TOYOTA CAMRY, CARINA, CELICA		



P574503		
D=57	d=44	H=45,5
Front Piston Ø57 Akebono Type		
ISUZU CHEVROLET, FASTER; TOYOTA CELICA, F-MODEL, LITEACE, SUPRA		



P574601		
D=57	d=48,2	H=46,5
Front Piston Ø57 Shin Tec Type		
FORD PROBE; MAZDA 323, 626, MX6, PREMACY, XEDOS		



P574602		
D=57	d=46	H=46
Front Piston Ø57 Sumitomo Type		
ISUZU, MITSUBISHI, SUZUKI, TOYOTA		



P574603		
D=57	d=43	H=46,1
Front Piston Ø57 Sumitomo Type		
KIA CARENS, CLARUS, RETONA, SPORTAGE		



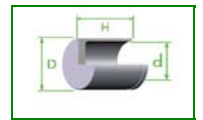
P574604		
D=57	d=48	H=46
Front Piston Ø57 NBK Type		
MAZDA 6		



P574801		
D=57	d=42	H=48,3
Front Piston Ø57 Akebono Type		
HONDA CR-V, MITSUBISHI L200, L300, MONTERO, PAJERO; SUBARU LEGACY		



P574802		
D=57	d=48,2	H=48
Front Piston Ø57 Akebono Type		
CHRYSLER, DODGE, JEEP, MITSUBISHI		




P574803		
D=57	d=46	H=48
Front Piston Ø57 Tokico/Aisin Type		
HONDA PRELUDE, TOYOTA YARIS		



P574901		
D=57	d=43	H=49
Front Piston Ø57 Sum/Hos/Ais/Akeb.		
MAZDA 323; TOYOTA CAMRY, CARINA, CELICA, COROLLA, PIC-NIC		



P574902		
D=57	d=43,1	H=49,5
Front Piston Ø57 Teves Type		
NISSAN PRIMERA		



P574903		
D=57	d=48	H=49
Front Piston Ø57 Kasco Type		
DAEWOO EVANDA, LEGANZA, REZZO, TACUMA; CHEVROLET EPICA, TACUMA		



P574904		
D=57	d=45,5	H=49
Front Piston Ø57 Akebono Type		
NISSAN QASHQAI, RENAULT KADJAR		



P575001		
D=57	d=48,2	H=49,8
Front Piston Ø57 Lucas Type		
HONDA, KIA, LAND ROVER, MERCEDES, NISSAN, ROVER, TOYOTA, VOLVO		



P575002		
D=57	d=43	H=50
Front Piston Ø 57 Ate Type		
AUDI, FORD, SEAT, SKODA, VOKSWAGEN		



P575101		
D=57	d=48,2	H=51,7
Front Piston Ø57 Bendix Type		
ALFA ROMEO, CITROËN, FIAT, LANCIA, PEUGEOT		



P575102		
D=57	d=48,2	H=51,5
Front Piston Ø57 NIH Type		
HONDA ACCORD, CIVIC, LEGEND, PRELUDE		



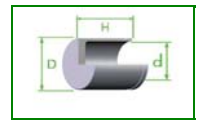
P575103		
D=57	d=48,2	H=51,2
Front Piston Ø57 Man/Niss/Kask		
HYUNDAI, KIA, MITSUBISHI, NISSAN, SUBARU, SUZUKI		



P575104		
D=57	d=32	H=51,6
Front Piston Ø57 Bendix Type		
CITROËN XANTIA, XM		



P575201		
D=57	d=49	H=52,7
Front Piston Ø57 Bosch Type		
CITROËN C5		




P575202		
D=57	d=48,5	H=52,5
Front Piston Ø57 Bosch Type		
OPEL CORSA; PEUGEOT 308, 3008; TOYOTA AVENSIS, COROLLA		



P575203		
D=57	d=48,2	H=52,2
Front Piston Ø57 Nbk Type		
MAZDA 6		



P575204		
D=57	d=46	H=52,5
Front Piston Ø57 Mazda Type		
MAZDA 6		



P575301		
D=57	d=43	H=53
Front Piston Ø57 Teves Type		
AUDI A3; BMW 3 SERIES, X3; PEUGEOT 605; SAAB 9000; VOLVO		



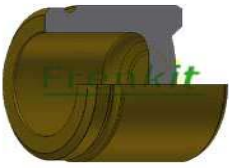
P575302		
D=57	d=48	H=53,6
Front Piston Ø57 Lucas/Nissin Type		
CHRYSLER; HONDA; MERCEDES; ROVER		



P575303		
D=57	d=40	H=53
Front Piston Ø57 Ate Type		
BMW 5 SERIES, 6 SERIES		



P575304		
D=57	d=48,2	H=53,6
Front Piston Ø57 Bosch Type		
FORD MONDEO; JAGUAR X-TYPE; TOYOTA AURIS, VERSO		



P575305		
D=57	d=40,5	H=53,75
Front Piston K/H Type (Phenolic)		
CHRYSLER PT CRUISER		



P575306		
D=57	d=44	H=53
Front Piston Ø57 Trw (Aluminium)		
AUDI A4, A5		



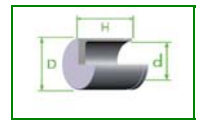
P575401		
D=57	d=48,2	H=54,8
Front Piston Ø57 Lucas Type		
ALFA, CITROËN, FIAT, LANCIA, MERCEDES, OPEL, PEUGEOT, SUZUKI		



P575403		
D=57	d=43	H=54
Front Piston Ø57 Ate Type		
KIA CLARUS		



P575501		
D=57	d=43	H=55,2
Front Piston Ø57 Ate Type		
AUDI, OPEL, SAAB, SKODA, TOYOTA, VW		




P575502		
D=57	d=46	H=55,5
Front Piston Ø57 Ate Type		
ALFA ROMEO 166, LANCIA KAPPA		



P575503		
D=57	d=43	H=55,5
Front Piston Ø57 Teves (Aluminium)		
BMW, FORD, OPEL, VW, VOLVO		



P575504		
D=57	d=43	H=55,4
Front Piston Ø57 Ate Type		
ALFA, PSA, VAG, GM, HONDA, MAZDA, RENAULT, TOYOTA, VOLVO, ROVER		



P575505		
D=57	d=35,3	H=55,7
Front Piston Ø57 Ate Type		
FIAT CROMA; OPEL SIGNUM, VECTRA		



P575506		
D=57	d=48,2	H=55
Front Piston Ø57 Akebono Type		
HONDA ACCORD; SUBARU IMPREZA, LEGACY		



P575601		
D=57	d=45	H=56
Front Piston Ø 57 Bosch Type		
BMW SERIES 1, 2, 3, 4, X3, X4,		



P575701		
D=57	d=43	H=57,5
Front Piston Ø57 Ate Type		
MERCEDES C-CLASS, CLK, E-CLASS, SLK		




P575801		
D=57	d=43	H=58,5
Front Piston Ø57 Ate Type		
FORD GALAXY; SEAT ALHAMBRA; VW SHARAN, TRANSPORTER		



P586301		
D=58	d=46	H=63,7
Front Piston Ø58 Lucas Type		
FORD CARGO; VOLVO TRUCKS F SERIES		



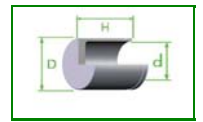

P586302		
D=58	d=45	H=63,75
Rear Piston Ø58 Lucas Type		
FORD CARGO; VOLVO TRUCKS F SERIES		



P602901		
D=60	d=42	H=29,5
Front Piston Ø60 Ate Type		
MERCEDES /8, 123, COUPE, KOMBI T MODEL, S-CLASS, SL, SL COUPE		



P603002		
D=60	d=45,6	H=30,8
Front Piston Ø60 Bendix Type		
MERCEDES 123, COUPE, KOMBI T MODEL, S-CLASS, SL, SL COUPE		

P603101		
D=60	d=42	H=31
Front Piston Ø60 Ate Type		
MERCEDES 123, COUPE, KOMBI T-MODEL, S-CLASS, SL, SL COUPE, UNIMOG		



P604401		
D=60	d=49	H=44
Front Piston Ø 60		
FORD FALCON		



P604601		
D=60	d=42	H=46,6
Front Piston Ø60 Akebono Type		
ISUZU; MITSUBISHI; NISSAN; OPEL; TOYOTA		



P604602		
D=60	d=50	H=46
Front Piston Ø60 Sumitomo Type		
FORD; MAZDA; KIA		



P604701		
D=60	d=48	H=47
Front Piston Ø60 Akebono Type		
NISSAN QASHQAI, X-TRAIL		



P604801		
D=60	d=46	H=47,8
Front Piston Ø60 Ate Type		
OPEL SENATOR, MONZA		



P604802		
D=60	d=42	H=48,9
Front Piston Ø60 Akebono Type		
MITSUBISHI		



P604803		
D=60	d=48	H=48,2
Front Piston Ø60 Asco Type		
TOYOTA DYNA, HIACE, HILUX; VW TARO		



P604804		
D=60	d=47	H=48
Front Piston Ø60 Akebono Type		
LEXUS RX; MITSUBISHI GALANT; TOYOTA CAMRY		



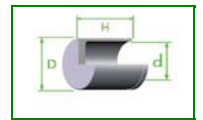
P604805		
D=60	d=48	H=48,3
Front Piston Ø60 PBR Type		
FORD RANGER; MAZDA B SERIES, BT-50		



P604807		
D=60,5	d=47	H=48,7
Front Piston Ø60 Bendix Type		
NISSAN SERENA, VANETTE		



P604901		
D=60	d=46	H=49
Rear Piston Ø60 Ate Type		
AUDI 100, V8; JAGUAR XJ, XJS		





P604902		
D=60	d=48	H=49
Front Piston Ø60 Advics Type		
TOYOTA AURIS, COROLLA, TREZIA, URBAN CRUISER		



P604905		
D=60,5	d=44,5	H=49
Front Piston Ø60 PBR Type		
SSANGYONG MUSSO, KORANDO		




P605001		
D=60,5	d=51	H=50
Front Piston Ø60 Tokico Type		
MITSUBISHI, NISSAN, SUZUKI		



P605002		
D=60	d=36	H=50,5
Front Piston Ø60 K/H Type (Phenolic)		
CHRYSLER LE BARON		



P605003		
D=60	d=51	H=50
Front Piston Ø60 TRW type		
TOYOTA HILUX		



P605004		
D=60	d=46	H=50
Front Piston Ø60 Ate Type		
PEUGEOT, CITROEN		



P605101		
D=60	d=48	H=51,5
Front Piston Ø60 Mando Type		
HYUNDAI H100, SONATA, TUCSON; KIA OPIRUS, SPORTAGE		

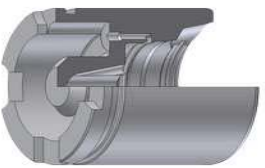


P605102		
D=60	d=46	H=51
Front Piston Ø60 Ate Type		
AUDI 100,200; FORD SCORPIO		



OEM: PHENOLIC FRENKIT: STEEL

P605103		
D=60	d=36	H=51
Front Piston Ø60 Ate		
CHEVROLET, MERCEDES, OPEL		



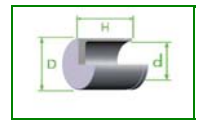
P605104		
D=60	d=34	H=51,2
Front Piston Ø60 Bosch Type		
CITROËN XANTIA		



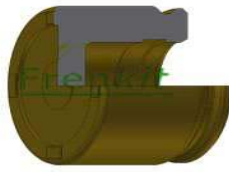
P605105		
D=60,5	d=50	H=51
Rear Piston Ø60 Kasco/Advics Type		
HYUNDAI SONATA, SUZUKI GRAND VITARA		



P605201		
D=60	d=46	H=52
Front Piston Ø60 K.H./Ate Type		
CHRYSLER VOYAGER; FORD ESCORT, ORION, SCORPIO, SIERRA		




P605202		
D=60,5	d=48	H=52,5
Front Piston Ø60 Sumitomo Type		
SUZUKI VITARA, GRAND VITARA; TOYOTA RAV-4		



P605203		
D=60	d=38,5	H=52
Front Piston Ø60 K/H (Phenolic)		
BUICK, CHRYSLER, DODGE, EAGLE, PLYMOUTH		



P605204		
D=60	d=49	H=52,5
Front Piston Ø60 Bosch Type		
HONDA CRV		



P605301		
D=60	d=50	H=53
Front Piston Ø60 Lucas Type		
CITROËN, FIAT, JAGUAR, LANCIA, PEUGEOT, RENAULT, VW		



P605302		
D=60	d=46	H=53
Front Piston Ø60 Ate Type		
BMW , VOLKSWAGEN		



P605303		
D=60	d=46	H=53
Front Caliper Ø60 Ate type		
BMW; LAND ROVER		



P605304		
D=60	d=47	H=53,5
Front Caliper Ø60 Trw (Aluminium)		
AUDI Q5, MERCEDES C, OPEL INSIGNIA; SAAM 9.5		



P605305		
D=60	d=49	H=53
Front Piston Ø60 Akebono Type		
CHEVROLET, OPEL		



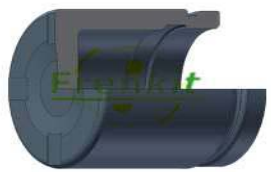
P605306		
D=60	d=51	H=53
Front Caliper Ø60 Girling Type		
MERCEDES S-CLASS COUPE		



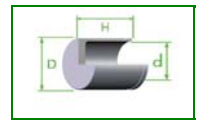
P605307		
D=60	d=49	H=53,5
Front Caliper Ø60 Mando Type		
OPEL INSIGNIA, SAAB 9-5		



P605401		
D=60	d=54	H=54
Rear Piston Ø60 Brembo Type		
NISSAN NV400, OPEL MOVANO, RENAULT MASTER III		




P605501		
D=60	d=46	H=55,5
Front Caliper Ø60 Ate (Aluminium)		
AUDI, BMW, CITROEN, FORD, JAGUAR, LAND ROVER, OPEL, PEGEOT, VOLVO		




P605502		
D=60	d=46	H=55,5
Front Piston Ø60 Ate Type		
BMW ,FORD, RENAULT, VOLKSWAGEN, VOLVO		



P605503		
D=60	d=47	H=55
Front Piston Ø60 Trw (Aluminium)		
MERCEDES, SEAT, SKODA, VW		



P605504		
D=60,5	d=0	H=55
Front Piston Ø60 PBR (Phenolic)		
CHRYSLER 300		



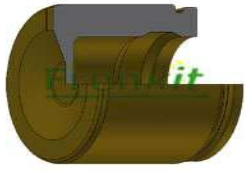
P605505		
D=60	d=51	H=55
Front Piston Ø60 Trw Type		
SEAT, SKODA, VW		



P605601		
D=60	d=50	H=56,7
Front Piston Ø60 Bosch Type		
MERCEDES SPRINTER, V-CLASS, VITO		

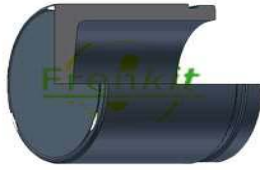


P605602		
D=60	d=46	H=56
Front Piston Ø60 Ate Type		
FORD MAVERICK III SERIES		



OEM: PHENOLIC FRENKIT: STEEL

P605603		
D=60	d=34,8	H=56
Front Piston Ø60 Ate		
OPEL SIGNUM, VECTRA; SAAB 9-3		



P605701		
D=60	d=47,5	H=57,4
Front Piston Ø60 Bosch (Aluminium)		
MERCEDES E-CLASS		



P605801		
D=60	d=46	H=58
Front Piston Ø60 Ate Type		
MERCEDES E-CLASS, S-CLASS, SPRINTER, V CLASS, VITO; VW LT SERIES		



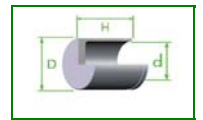
P606301		
D=60	d=50	H=63,3
Front Piston Ø60 Lucas Type		
FORD CARGO; MERCEDES T2/LN1, VARIO; IVECO EUROARGO		



P606302		
D=60	d=45	H=63,5
Rear Piston Ø60 Lucas Type		
FORD CARGO; MERCEDES VARIO; IVECO EUROARGO		



P606501		
D=60	d=26	H=65
Rear Piston Ø60 Brembo Type		
IVECO DAILY IV SERIES		




P606502		
D=60	d=43,5	H=65
Front/Rear Piston Ø60 Brembo Type		
IVECO DAILY III, EUROCARGO		



P606503		
D=60	d=48,5	H=65
Rear Piston Ø60 Brembo Type		
IVECO EUROCARGO		



P606701		
D=60	d=46	H=67,3
Front Piston Ø60 Ate Type		
MERCEDES T2/LN1, VARIO		



P607601		
D=60	d=48,5	H=76
Front Piston Ø 60		
IVECO DAILY		



P607602		
D=60	d=43,5	H=76



P634301		
D=63,5	d=52,4	H=43
Front Piston Ø63mm Type		
HOLDEN HX, HZ		



P634601		
D=63,5	d=52,5	H=46
Front Piston Ø63mm Type		
HOLDEN HX, HZ		



P634801		
D=63,4	d=48	H=48
Front Piston Ø63 Akebono Type		
LEXUS RX; TOYOTA AVENSIS, PREVIA		



P634802		
D=63	d=46	H=48
Front Piston Ø63 Toyota Type		
TOYOTA PREVIA		



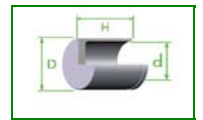
P634901		
D=63,4	d=51	H=49
Front Piston Ø63 Advics Type		
TOYOTA AURIS, CAMRY, RAV 4		



P635101		
D=63	d=53	H=51
Front Piston Ø63 mando Type		
HYUNDAI GENESIS		



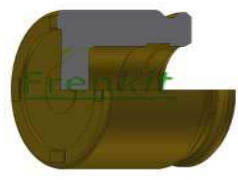
P635201		
D=63,4	d=51,3	H=52,8
LEXUS ES350, TOYOTA CARRY		




P635301		
D=63,4	d=48	H=53
Front Piston Ø63 Sumitomo Type		
TOYOTA PREVIA		




P635901		
D=63,4	d=54	H=59,5
Front Piston Ø63 K/H Type		
CHEVROLET TRANS PORT, OPEL SINTRA		




P665201		
D=66	d=35,8	H=52
Front Piston Ø66 TRW Type (Phenolic)		
JEEP CHEROKEE, GRAND CHEROKEE, VOYAGER; KIA CARNIVAL		



P665202		
D=66	d=55,8	H=52
Front Piston Ø66 Ate Type		
CHRYSLER VOYAGER IV		



P665301		
D=66	d=43,5	H=54
Front Piston Ø66 Lucas (Phenolic)		
JEEP CHEROKEE		



P665302		
D=66	d=44	H=53,4
Front Piston Ø66 K/H Type (Phenolic)		
DODGE, JEEP, PLYMOUTH		



P665501		
D=66	d=51	H=55,5
Front Piston Ø66 Lucas Type		
MAZDA TRIBUTE		




P674801		
D=67	d=55,5	H=48
Front Piston Ø67 Aisin Type		
TOYOTA HIACE, DYNA		



P684901		
D=68	d=57	H=49,5
Front Piston Ø68 Lucas/Nissan Type		
NISSAN CABSTAR, PATROL		



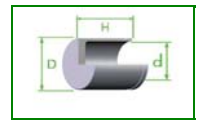
P685201		
D=68	d=57	H=52



P686301		
D=68	d=45	H=63,7
Front/Rear Piston Ø68 Girling Type		
FORD CARGO; VOLVO FL-4, FL-6		



P686302		
D=68	d=58,5	H=63,5
Front Piston Ø68 Girling Type		
FORD CARG; VOLVO FL-4, FL-6		




P686303		
D=68	d=45	H=63
Rear Piston Ø68 Girling Type		
IVECO EUROCARGO		



P686305		
D=68	d=52	H=63
Front Piston Ø68 Brembo Type		
IVECO EUROCARGO		



P686501		
D=68	d=37	H=65
Front Piston Ø68 Brembo Type		
IVECO EUROCARGO		



P686502		
D=68	d=48,5	H=65
Front/Rear Piston Ø68 Brembo Type		
IVECO EUROCARGO		



P687501		
D=68	d=48,6	H=75
Rear Piston Ø68 Brembo Type		
IVECO EUROCARGO		



P687502		
D=68	d=44	H=75
IVECO EUROCARGO		